

Silencers, series SI1



AVENTICS™ Silencers, series SI1

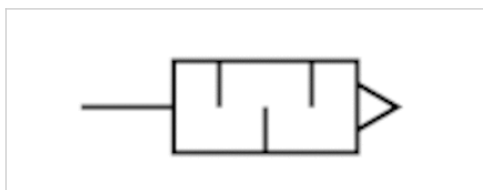


Silencers, series SI1

- M5
- Sintered bronze



Working pressure min./max.	0 ... 10 bar
Ambient temperature min./max.	-25 ... 80 °C
Medium	Compressed air
Sound pressure level	72 dB
Weight	0.004 kg
Comment	Flow characteristic curves can be found under "Diagrams".



Technical data

Part No.	Compressed air connection	Flow	Delivery unit
		Qn	
1827000006	M5	398 l/min	10 piece

Weight per piece

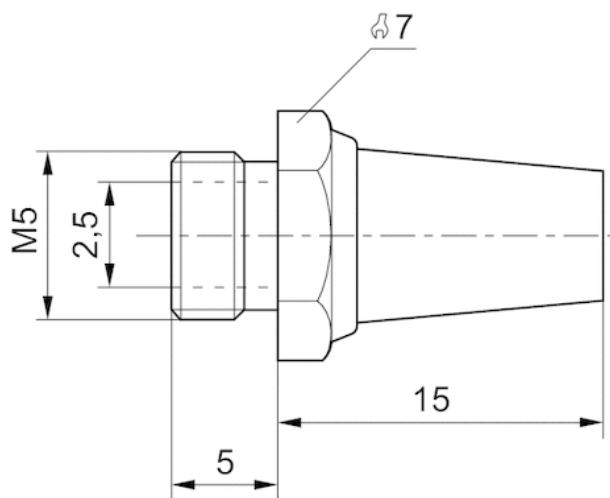
Nominal flow Qn at p1 = 6 bar (absolute) freely discharged. Sound pressure level measured at 6 bar against atmosphere at 1 m distance.

Technical information

Material	
Silencer	Sintered bronze
Thread	Brass

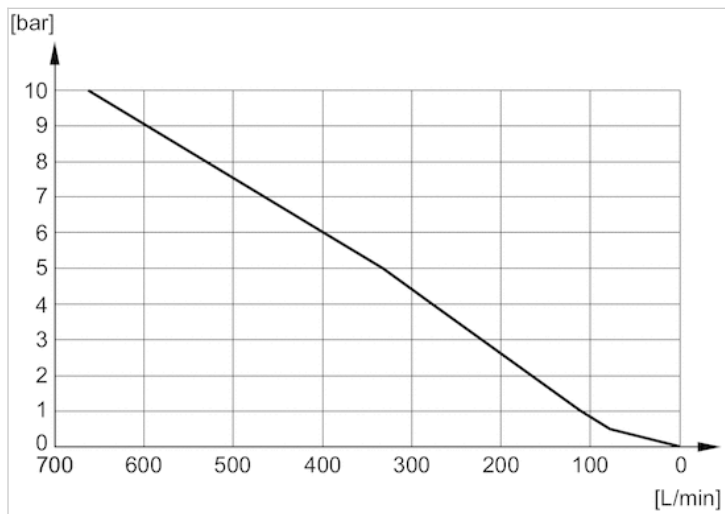
Dimensions

Dimensions in mm



Diagrams

Flow diagram, 1827000006



Silencers, series SI1

- M7

- Sintered bronze



Working pressure min./max.

0 ... 10 bar

Ambient temperature min./max.

-25 ... 80 °C

Medium

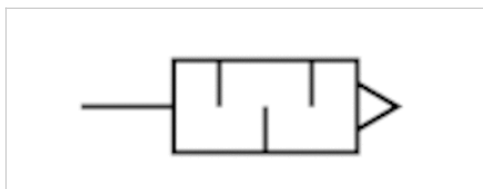
Compressed air

Weight

0.005 kg

Comment

Flow characteristic curves can be found under "Diagrams".



Technical data

Part No.	Compressed air connection	Delivery unit
8140000700	M7	10 piece

Weight per piece

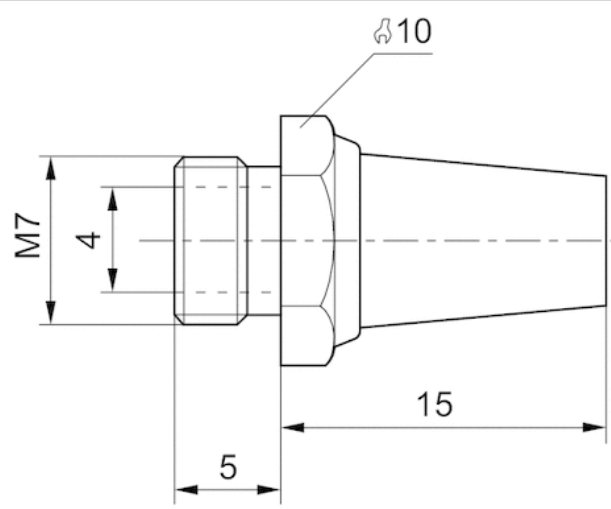
Nominal flow Qn at p1 = 6 bar (absolute) freely discharged. Sound pressure level measured at 6 bar against atmosphere at 1 m distance.

Technical information

Material	
Silencer	Sintered bronze
Thread	Brass

Dimensions

Dimensions in mm

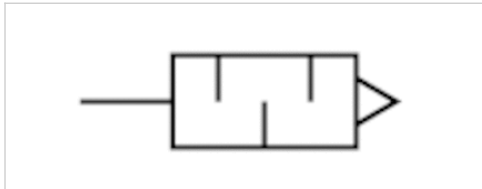


Silencers, series SI1

- M10x1
- Sintered bronze



Working pressure min./max.	0 ... 10 bar
Ambient temperature min./max.	-25 ... 80 °C
Medium	Compressed air
Sound pressure level	75 dB
Weight	0.011 kg
Comment	Flow characteristic curves can be found under "Diagrams".



Technical data

Part No.	Compressed air connection	Flow	Delivery unit
		Qn	
5324001110	M10x1	1747 l/min	1 piece

Weight per piece

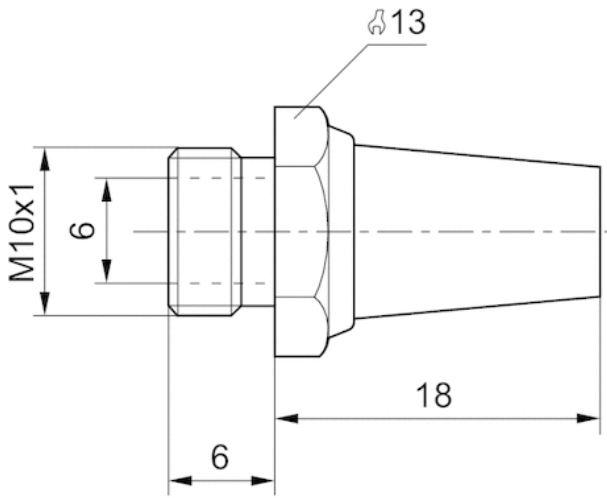
Nominal flow Qn at p1 = 6 bar (absolute) freely discharged. Sound pressure level measured at 6 bar against atmosphere at 1 m distance.

Technical information

Material	
Silencer	Sintered bronze
Thread	Brass

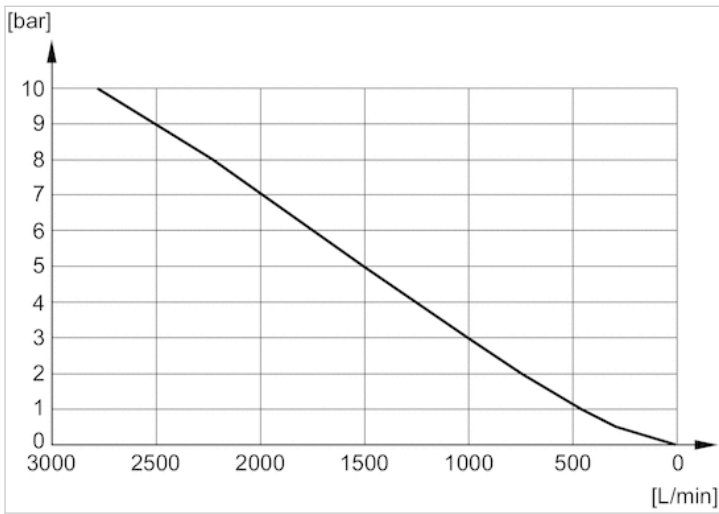
Dimensions

Dimensions in mm



Diagrams

Flow diagram, 5324001110

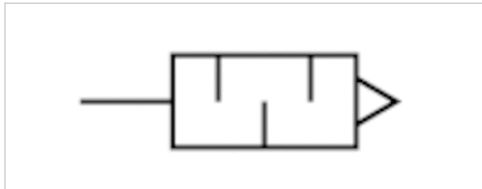


Silencers, series SI1

- M12x1,5
- Sintered bronze



Working pressure min./max.	0 ... 10 bar
Ambient temperature min./max.	-25 ... 80 °C
Medium	Compressed air
Sound pressure level	80 dB
Weight	0.019 kg
Comment	Flow characteristic curves can be found under "Diagrams".



Technical data

Part No.	Compressed air connection	Flow	Delivery unit
		Qn	
5324001170	M12x1,5	3049 l/min	1 piece

Weight per piece

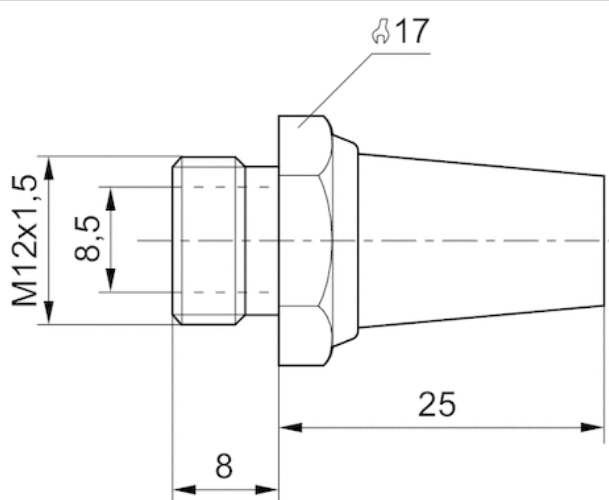
Nominal flow Qn at p1 = 6 bar (absolute) freely discharged. Sound pressure level measured at 6 bar against atmosphere at 1 m distance.

Technical information

Material	
Silencer	Sintered bronze
Thread	Brass

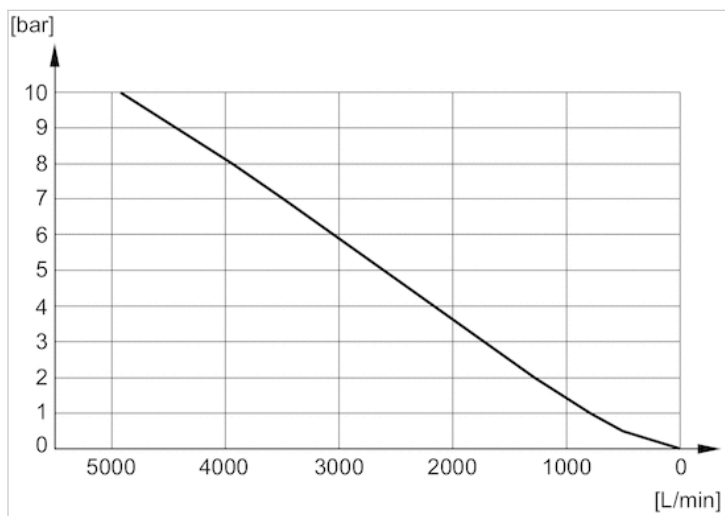
Dimensions

Dimensions in mm



Diagrams

Flow diagram, 5324001170

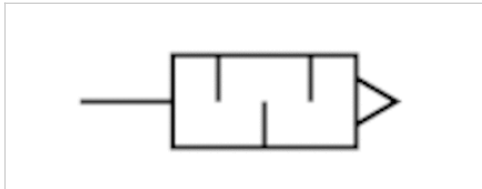


Silencers, series SI1

- M14x1,5
- Sintered bronze



Working pressure min./max.	0 ... 10 bar
Ambient temperature min./max.	-25 ... 80 °C
Medium	Compressed air
Sound pressure level	80 dB
Weight	0.018 kg
Comment	Flow characteristic curves can be found under "Diagrams".



Technical data

Part No.	Compressed air connection	Flow	Delivery unit
		Qn	
5324001120	M14x1,5	3390 l/min	1 piece

Weight per piece

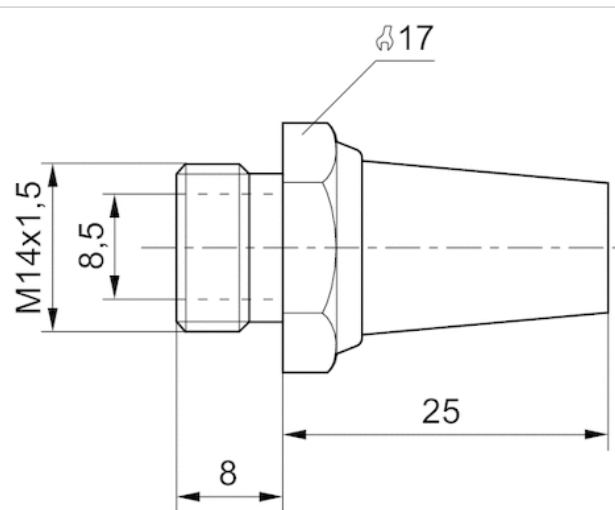
Nominal flow Qn at p1 = 6 bar (absolute) freely discharged. Sound pressure level measured at 6 bar against atmosphere at 1 m distance.

Technical information

Material	
Silencer	Sintered bronze
Thread	Brass

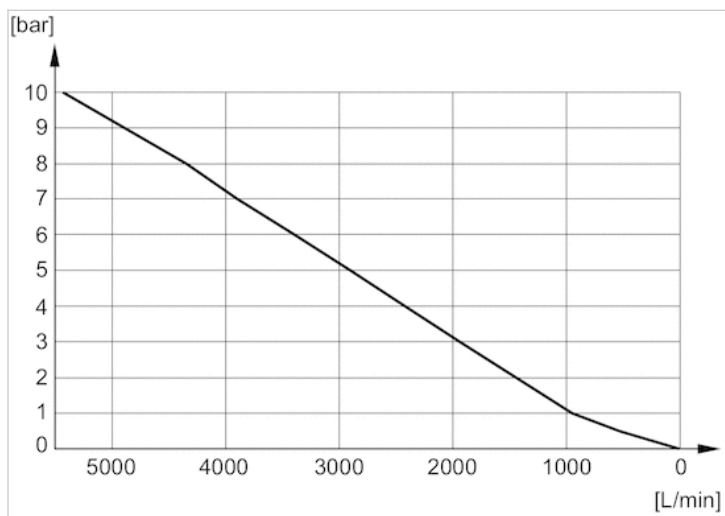
Dimensions

Dimensions in mm



Diagrams

Flow diagram, 5324001120

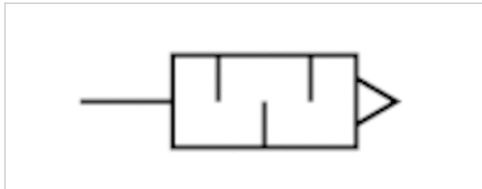


Silencers, series SI1

- M22x1,5
- Sintered bronze



Working pressure min./max.	0 ... 10 bar
Ambient temperature min./max.	-25 ... 80 °C
Medium	Compressed air
Sound pressure level	85 dB
Weight	0.071 kg
Comment	Flow characteristic curves can be found under "Diagrams".



Technical data

Part No.	Compressed air connection	Flow	Delivery unit
		Qn	
5324001140	M22x1,5	7223 l/min	1 piece

Weight per piece

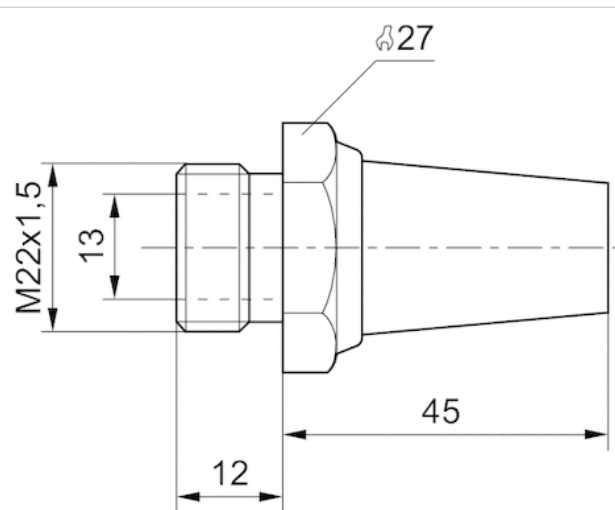
Nominal flow Qn at p1 = 6 bar (absolute) freely discharged. Sound pressure level measured at 6 bar against atmosphere at 1 m distance.

Technical information

Material	
Silencer	Sintered bronze
Thread	Brass

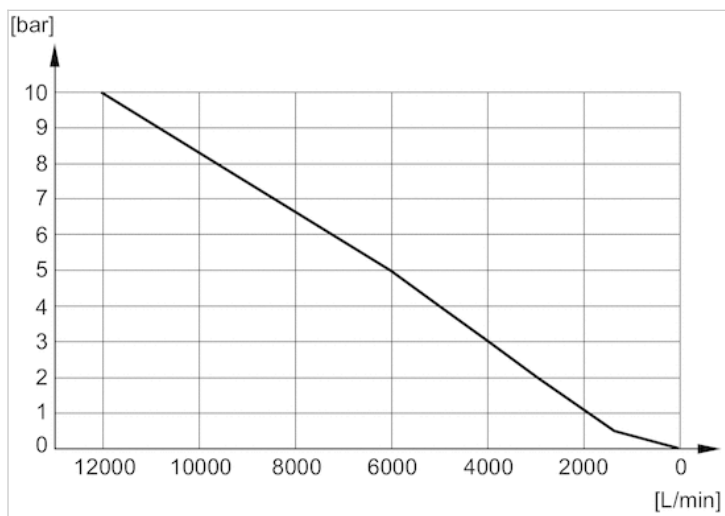
Dimensions

Dimensions in mm



Diagrams

Flow diagram, 5324001140

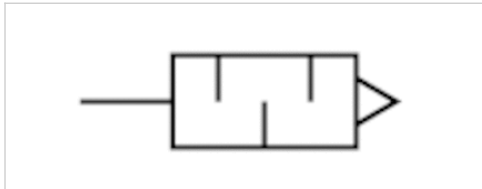


Silencers, series SI1

- G 1/8
- Sintered bronze



Working pressure min./max.	0 ... 10 bar
Ambient temperature min./max.	-25 ... 80 °C
Medium	Compressed air
Sound pressure level	75 dB
Weight	0.01 kg
Comment	Flow characteristic curves can be found under "Diagrams".



Technical data

Part No.	Compressed air connection	Flow	Delivery unit
		Qn	
1827000000	G 1/8	1623 l/min	10 piece

Weight per piece

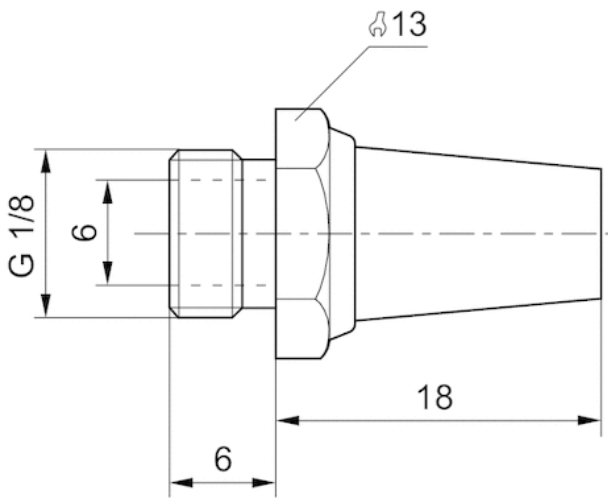
Nominal flow Qn at p1 = 6 bar (absolute) freely discharged. Sound pressure level measured at 6 bar against atmosphere at 1 m distance.

Technical information

Material	
Silencer	Sintered bronze
Thread	Brass

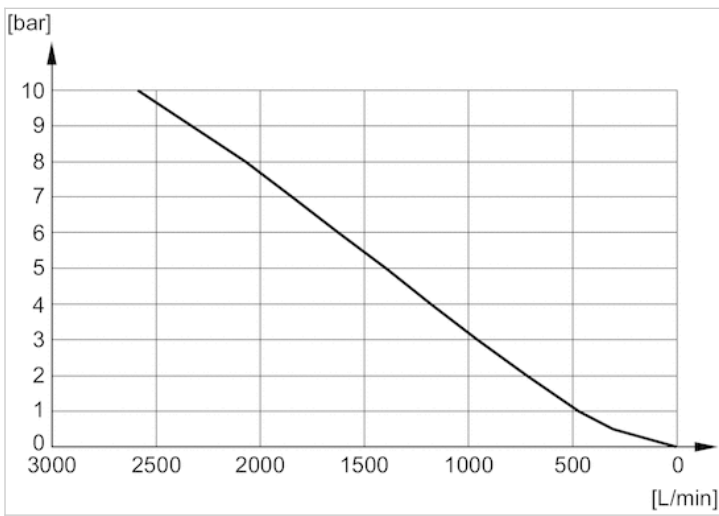
Dimensions

Dimensions in mm



Diagrams

Flow diagram, 1827000000

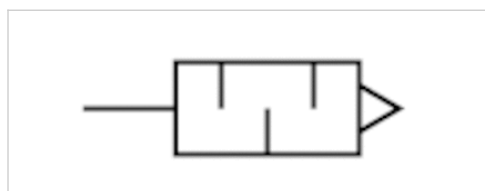


Silencers, series SI1

- G 1/4
- Sintered bronze



Working pressure min./max.	0 ... 10 bar
Ambient temperature min./max.	-25 ... 80 °C
Medium	Compressed air
Sound pressure level	See table below
Weight	See table below
Comment	Flow characteristic curves can be found under "Diagrams".



Technical data

Part No.	Compressed air connection	Sound pressure level	Flow	Delivery unit	Weight
			Qn		
R412004817	G 1/4	-	5950 l/min	10 piece	0.013 kg
1827000001	G 1/4	79 dB	3390 l/min	10 piece	0.02 kg

Weight per piece

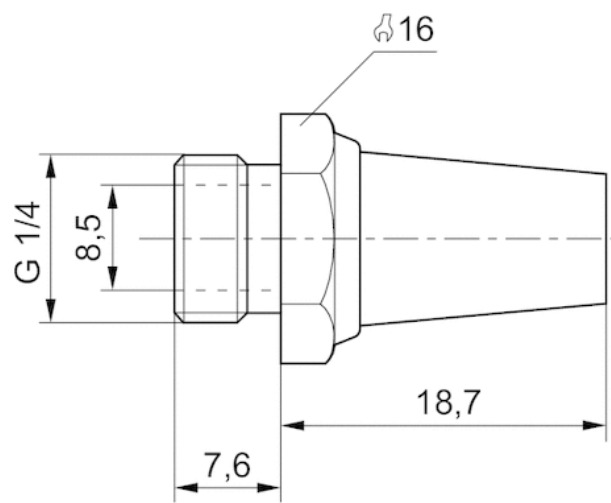
Nominal flow Qn at p1 = 6 bar (absolute) freely discharged. Sound pressure level measured at 6 bar against atmosphere at 1 m distance.

Technical information

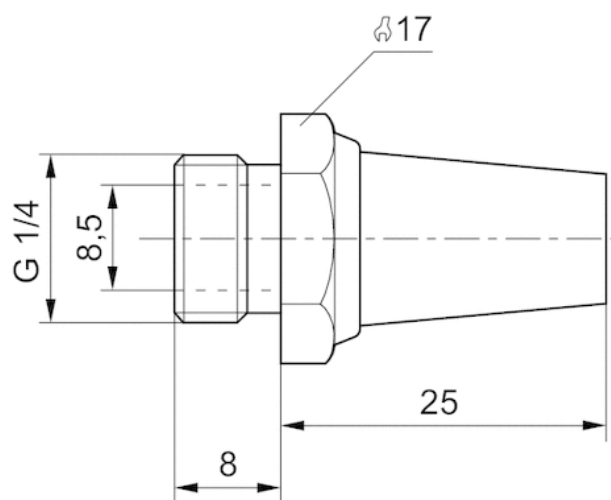
Material	
Silencer	Sintered bronze
Thread	Brass

Dimensions

Dimensions in mm



Dimensions in mm

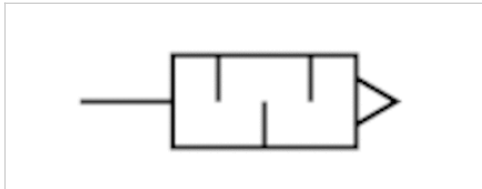


Silencers, series SI1

- G 3/8
- Sintered bronze



Working pressure min./max.	0 ... 10 bar
Ambient temperature min./max.	-25 ... 80 °C
Medium	Compressed air
Sound pressure level	84 dB
Weight	0.05 kg
Comment	Flow characteristic curves can be found under "Diagrams".



Technical data

Part No.	Compressed air connection	Flow	Delivery unit
		Qn	
1827000002	G 3/8	6554 l/min	5 piece

Weight per piece

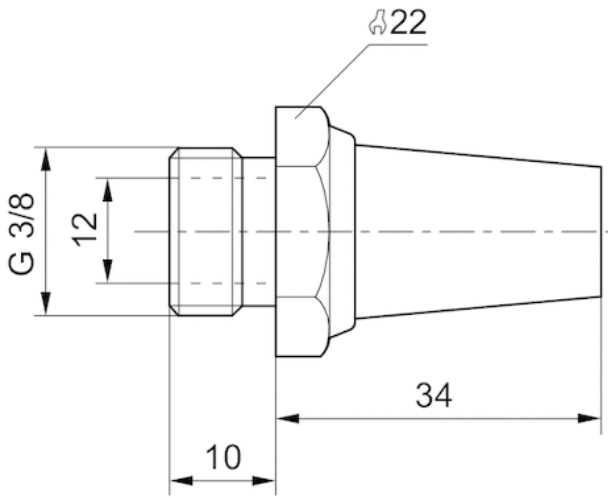
Nominal flow Qn at p1 = 6 bar (absolute) freely discharged. Sound pressure level measured at 6 bar against atmosphere at 1 m distance.

Technical information

Material	
Silencer	Sintered bronze
Thread	Brass

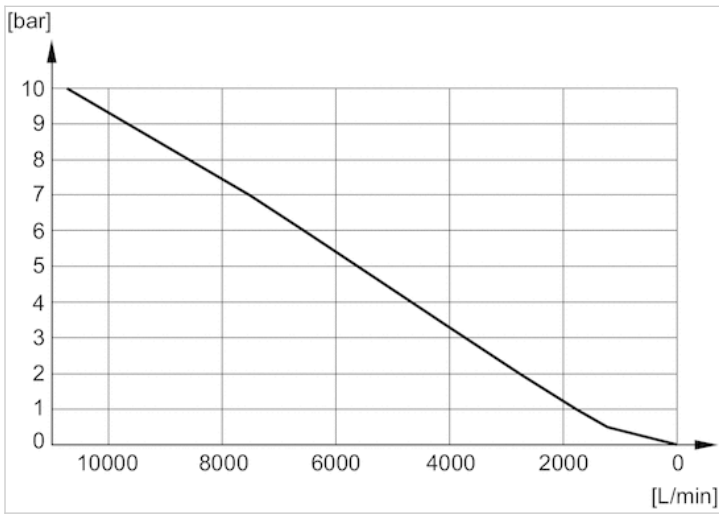
Dimensions

Dimensions in mm



Diagrams

Flow diagram, 1827000002

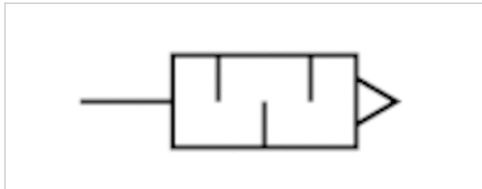


Silencers, series SI1

- G 1/2
- Sintered bronze



Working pressure min./max.	0 ... 10 bar
Ambient temperature min./max.	-25 ... 80 °C
Medium	Compressed air
Sound pressure level	90 dB
Weight	0.08 kg
Comment	Flow characteristic curves can be found under "Diagrams".



Technical data

Part No.	Compressed air connection	Flow	Delivery unit
		Qn	
1827000003	G 1/2	7223 l/min	2 piece

Weight per piece

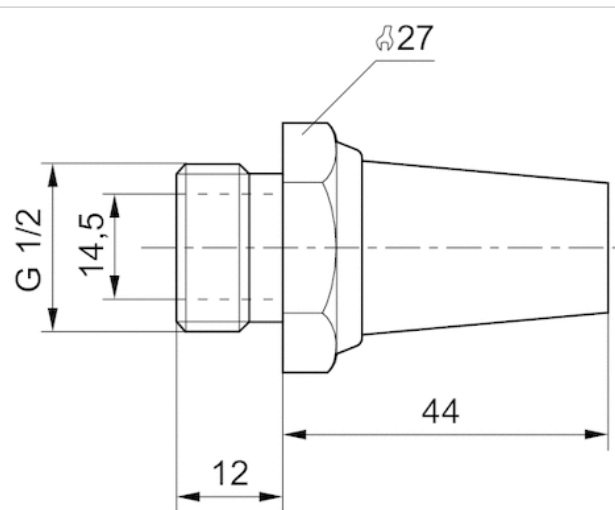
Nominal flow Qn at p1 = 6 bar (absolute) freely discharged. Sound pressure level measured at 6 bar against atmosphere at 1 m distance.

Technical information

Material	
Silencer	Sintered bronze
Thread	Brass

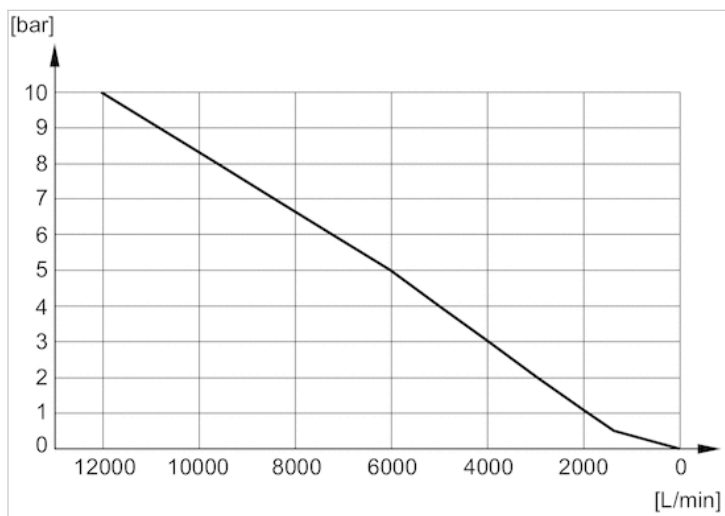
Dimensions

Dimensions in mm



Diagrams

Flow diagram, 1827000003

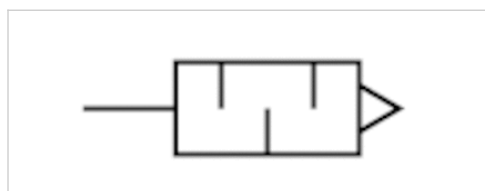


Silencers, series SI1

- G 3/4
- Sintered bronze



Working pressure min./max.	0 ... 10 bar
Ambient temperature min./max.	-25 ... 80 °C
Medium	Compressed air
Sound pressure level	92 dB
Weight	0.13 kg
Comment	Flow characteristic curves can be found under "Diagrams".



Technical data

Part No.	Compressed air connection	Flow	Delivery unit
		Qn	
1827000004	G 3/4	8394 l/min	1 piece

Weight per piece

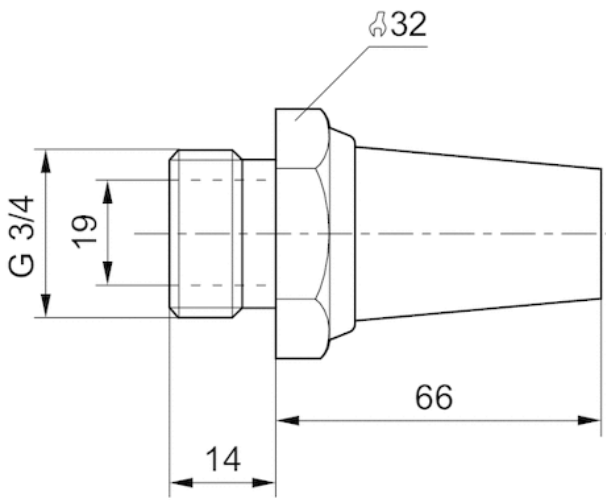
Nominal flow Qn at p1 = 6 bar (absolute) freely discharged. Sound pressure level measured at 6 bar against atmosphere at 1 m distance.

Technical information

Material	
Silencer	Sintered bronze
Thread	Brass

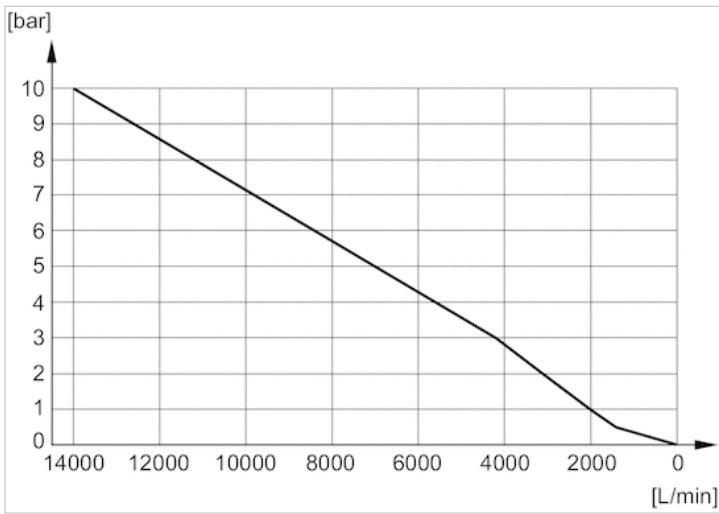
Dimensions

Dimensions in mm



Diagrams

Flow diagram, 1827000004

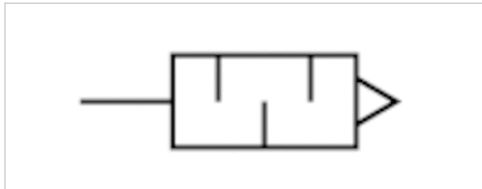


Silencers, series SI1

- G 1
- Sintered bronze



Working pressure min./max.	0 ... 10 bar
Ambient temperature min./max.	-25 ... 80 °C
Medium	Compressed air
Sound pressure level	102 dB
Weight	0.18 kg
Comment	Flow characteristic curves can be found under "Diagrams".



Technical data

Part No.	Compressed air connection	Flow	Delivery unit
		Qn	
1827000005	G 1	12848 l/min	1 piece

Weight per piece

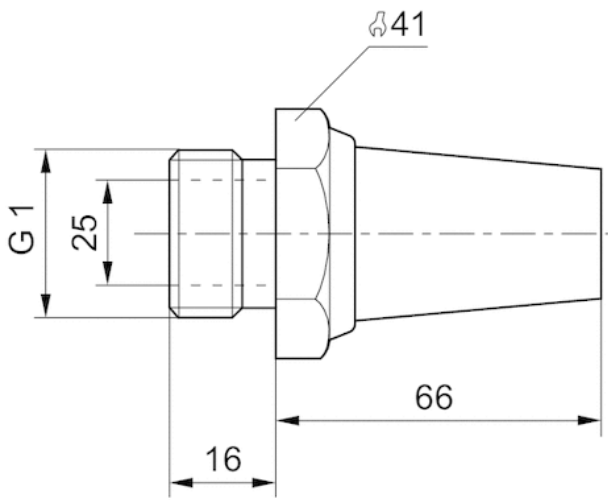
Nominal flow Qn at p1 = 6 bar (absolute) freely discharged. Sound pressure level measured at 6 bar against atmosphere at 1 m distance.

Technical information

Material	
Silencer	Sintered bronze
Thread	Brass

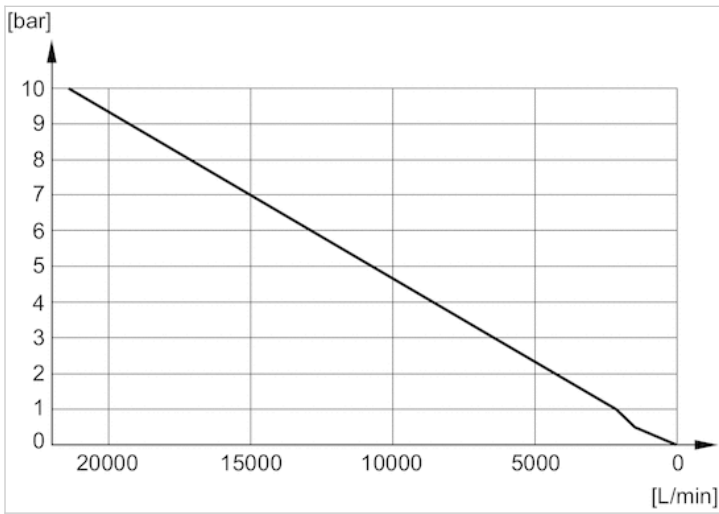
Dimensions

Dimensions in mm



Diagrams

Flow diagram, 1827000005



Silencers, series SI1

- Ø 4 Ø 6 Ø 8

- Sintered bronze



Working pressure min./max.

0 ... 10 bar

Ambient temperature min./max.

-25 ... 80 °C

Medium

Compressed air

Sound pressure level

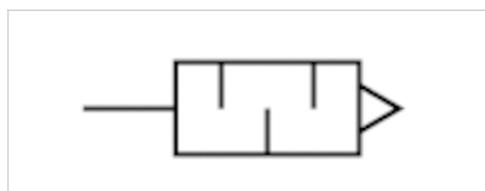
See table below

Weight

See table below

Comment

Flow characteristic curves can be found under "Diagrams".



Technical data

Part No.	Compressed air connection	Sound pressure level	Flow	Delivery unit	Weight
			Qn		
8240040000	Ø 4	72 dB	366 l/min	5 piece	0.004 kg
8240060000	Ø 6	-	1011 l/min	5 piece	0.01 kg
8240080000	Ø 8	75 dB	2200 l/min	5 piece	0.019 kg

Weight per piece

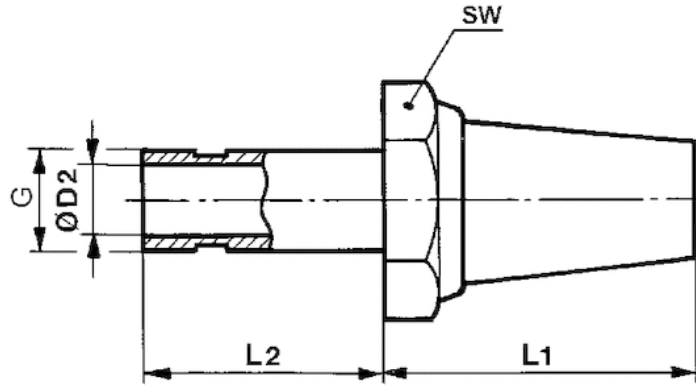
Nominal flow Qn at p1 = 6 bar (absolute) freely discharged. Sound pressure level measured at 6 bar against atmosphere at 1 m distance.

Technical information

Material	
Silencer	Sintered bronze
push-in fitting	Brass

Dimensions

Dimensions



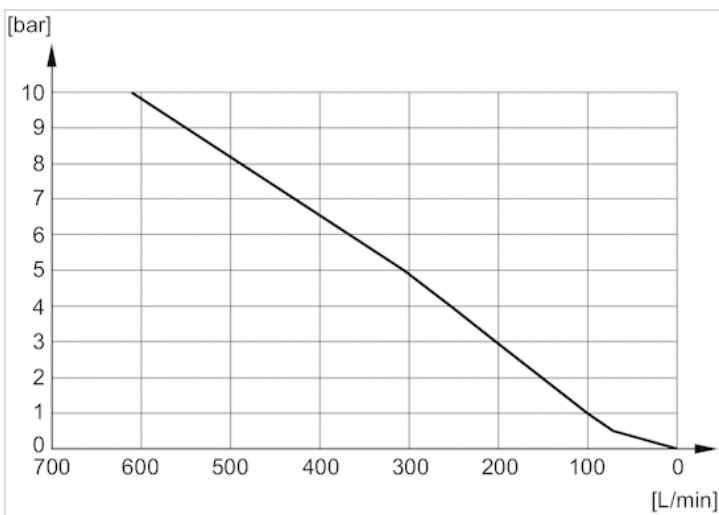
Dimensions

Part No.	Port G	$\varnothing D2$	L1	L2	SW
8240040000	$\varnothing 4$	2.5	16	17	10
8240060000	$\varnothing 6$	4	18	19	13
8240080000	$\varnothing 8$	6	25	19	17

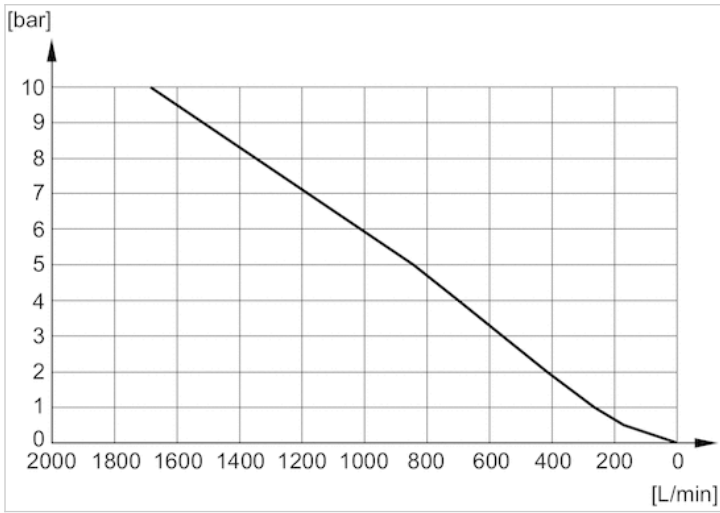
Sound pressure level measured at 6 bar at 1 m distance

Diagrams

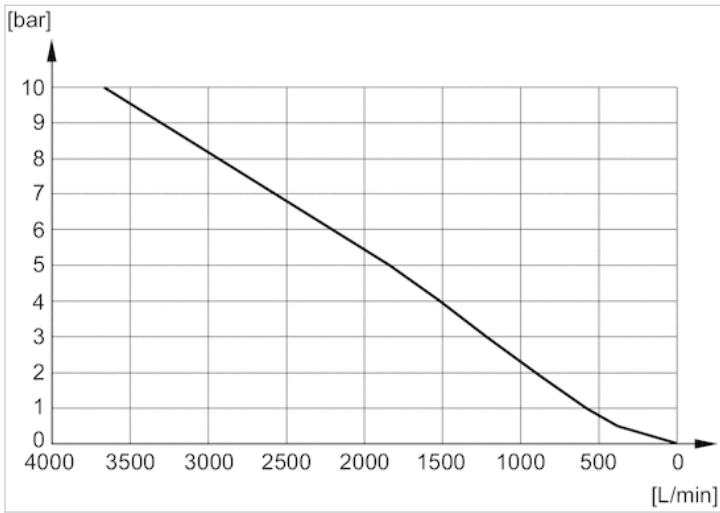
Flow diagram, 8240040000



Flow diagram, 8240060000



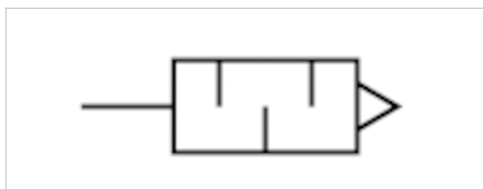
Flow diagram, 8240080000



Silencers, series SI1

- M5 G 1/8 G 1/4 G 3/8 G 1/2 G 3/4 G 1

- Sintered bronze



Working pressure min./max.

0 ... 10 bar

Ambient temperature min./max.

-25 ... 80 °C

Medium

Compressed air

Sound pressure level

See table below

Weight

See table below

Comment

Flow characteristic curves can be found under "Diagrams".

Technical data

Part No.	Compressed air connection	Sound pressure level	Flow	Delivery unit	Weight
			Qn		
1827000032	M5	79 dB	252 l/min	10 piece	0.005 kg
1827000031	G 1/8	85 dB	700 l/min	10 piece	0.001 kg
1827000033	G 1/4	88 dB	1116 l/min	10 piece	0.01 kg
1827000034	G 3/8	90 dB	1706 l/min	5 piece	0.016 kg
1827000035	G 1/2	85 dB	2568 l/min	2 piece	0.035 kg
8145003400	G 3/4	82 dB	3260 l/min	1 piece	0.095 kg
8145001000	G 1	82 dB	9485 l/min	1 piece	0.057 kg

Weight per piece

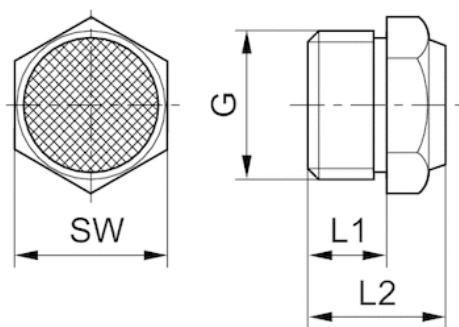
Nominal flow Qn at p1 = 6 bar (absolute) freely discharged. Sound pressure level measured at 6 bar against atmosphere at 1 m distance.

Technical information

Material	
Silencer	Sintered bronze
Thread	Brass

Dimensions

Dimensions



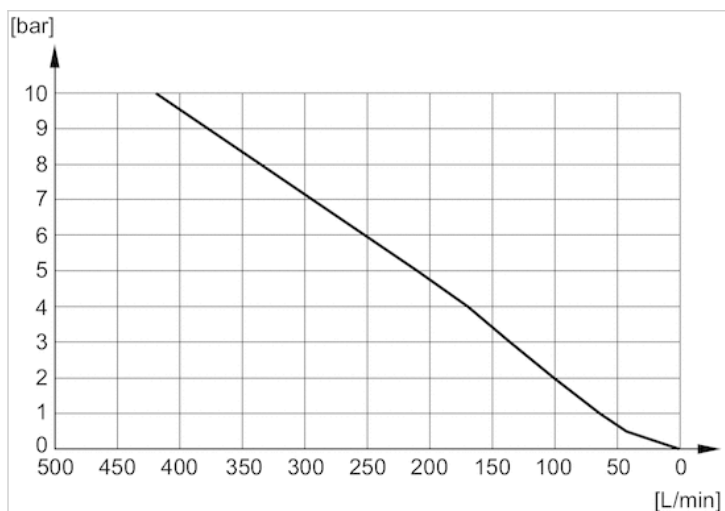
Dimensions

Part No.	Port G	L1	L2	SW
1827000032	M5	5	10.3	7
1827000031	G 1/8	6	11.5	13
1827000033	G 1/4	8	13.5	17
1827000034	G 3/8	10	17.5	22
1827000035	G 1/2	12	19.5	27
8145003400	G 3/4	14	22.5	32
8145001000	G 1	16	22.5	41

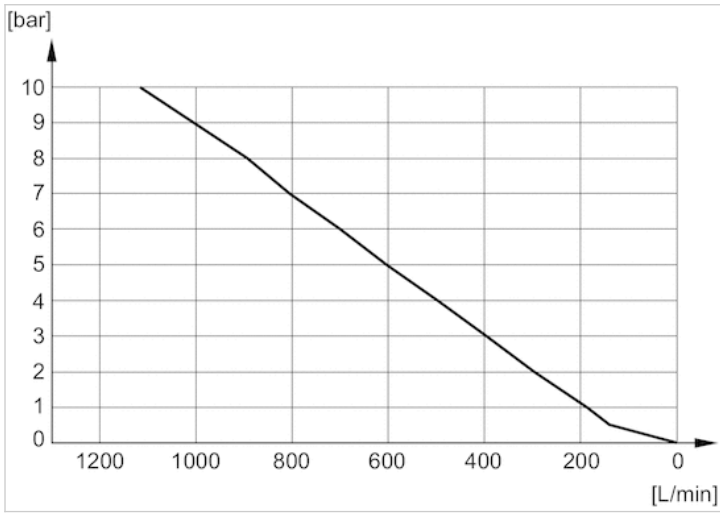
Sound pressure level measured at 6 bar at 1 m distance

Diagrams

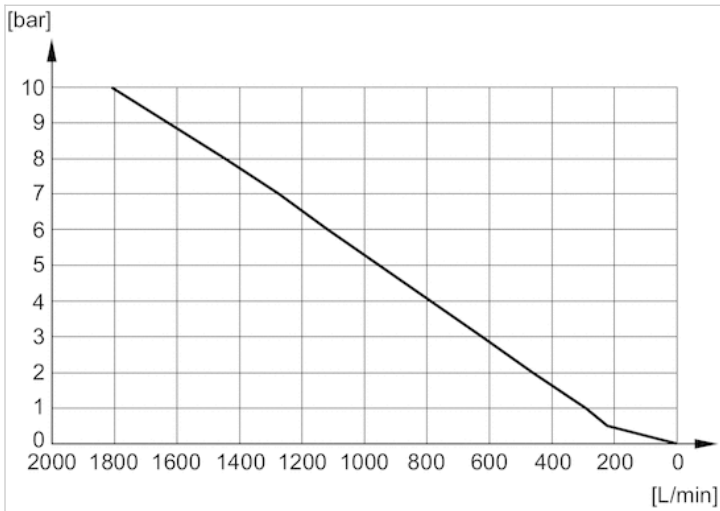
Flow diagram, 1827000032



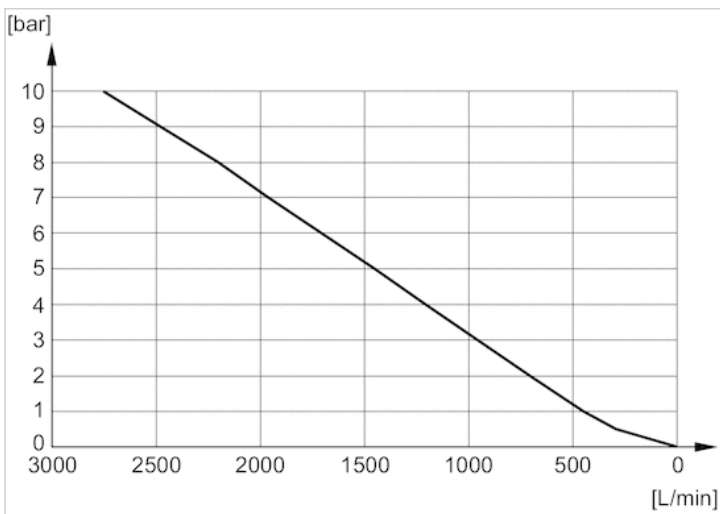
Flow diagram, 1827000031



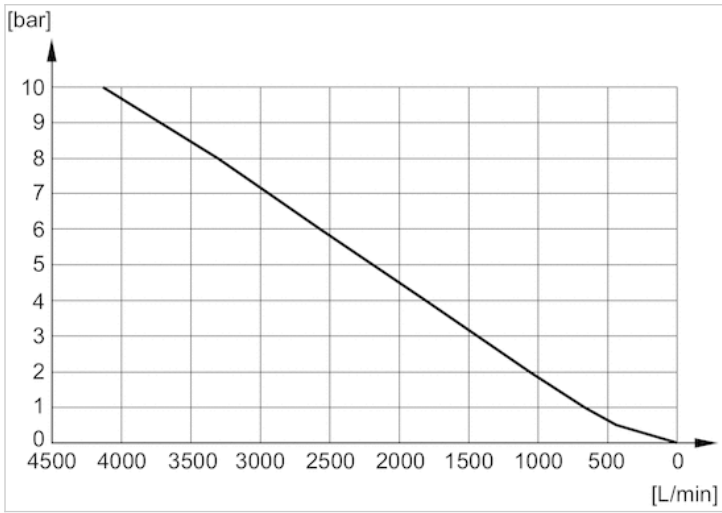
Flow diagram, 1827000033



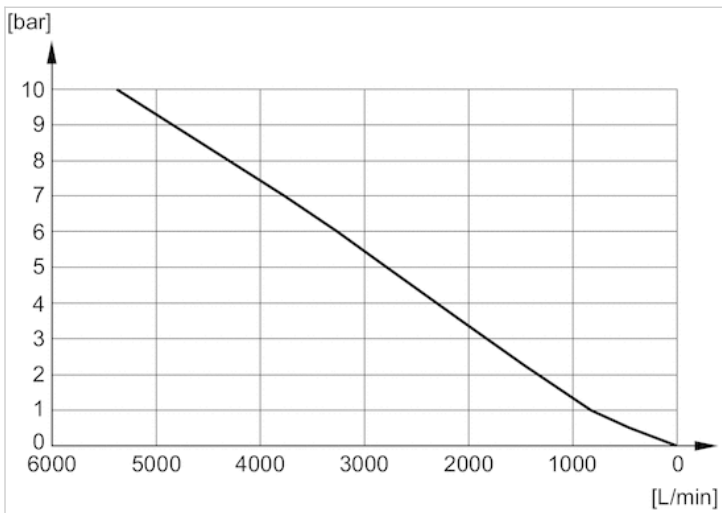
Flow diagram, 1827000034



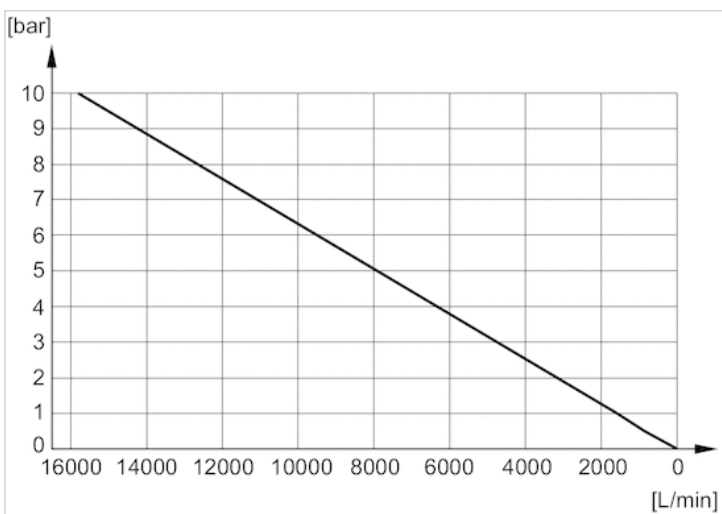
Flow diagram, 1827000035



Flow diagram, 8145003400



Flow diagram, 8145001000



Silencers, series SI1

- G 1/8 G 1/4 G 3/8 G 1/2 G 3/4 G 1

- Sintered bronze



Working pressure min./max.

0 ... 10 bar

Ambient temperature min./max.

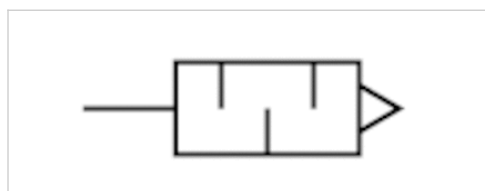
-25 ... 80 °C

Medium

Compressed air

Comment

Flow characteristic curves can be found under "Diagrams".



Technical data

Part No.	Compressed air connection	Flow	Delivery unit
		Qn	
1827430004	G 1/8	311 l/min	10 piece
R414000155	G 1/4	553 l/min	10 piece
R412007875	G 3/8	743 l/min	5 piece
R412007876	G 1/2	1343 l/min	2 piece
R412007877	G 3/4	3585 l/min	2 piece
R412007878	G 1	5012 l/min	2 piece

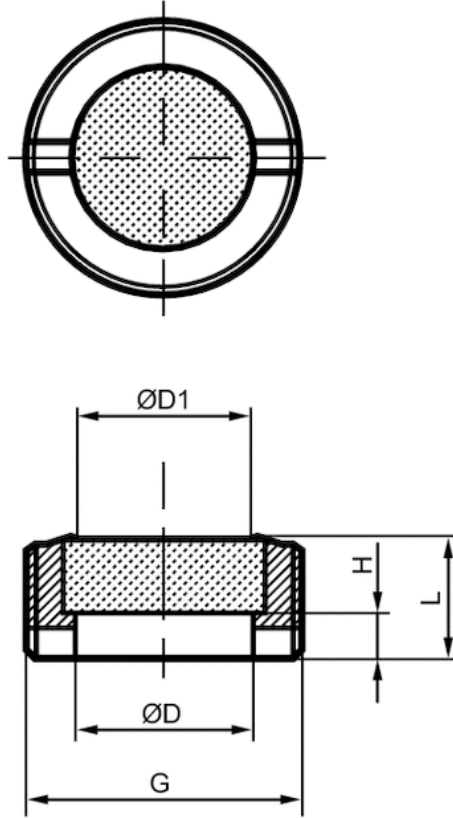
Nominal flow Qn at p1 = 6 bar (absolute) freely discharged. Sound pressure level measured at 6 bar against atmosphere at 1 m distance.

Technical information

Material	
Silencer	Sintered bronze
Thread	Brass

Dimensions

Dimensions

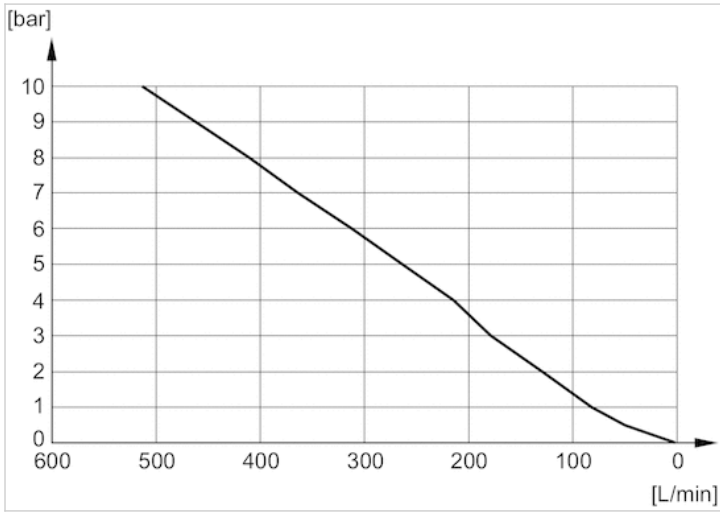


Dimensions

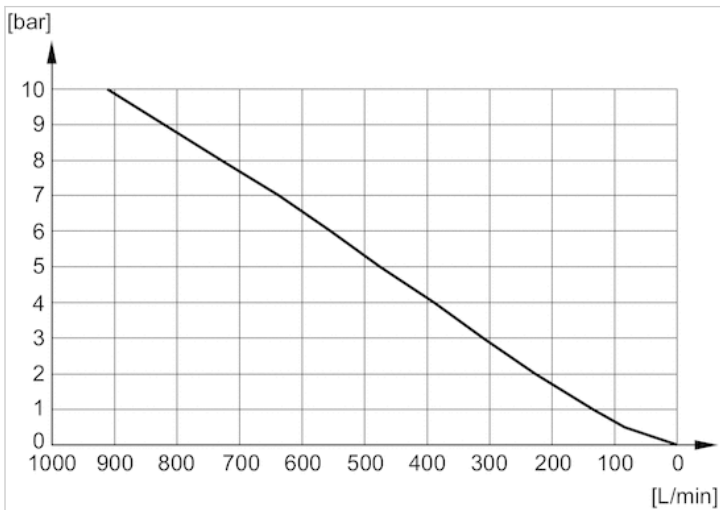
Part No.	Port G	Ø D	Ø D1	H	L
1827430004	G 1/8	6	5	2	4
R414000155	G 1/4	8	6	3	6
R412007875	G 3/8	10	8	3	7
R412007876	G 1/2	15	12	5	9
R412007877	G 3/4	20	17	3.4	8
R412007878	G 1	26	23	5.5	9.5

Diagrams

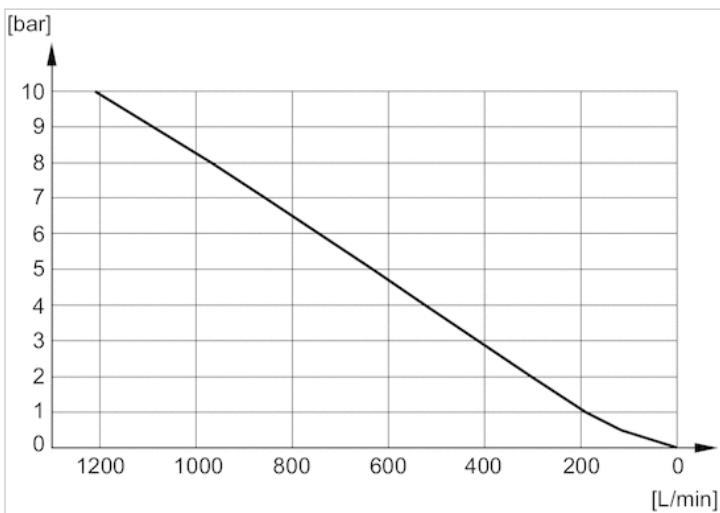
Flow diagram, 1827430004



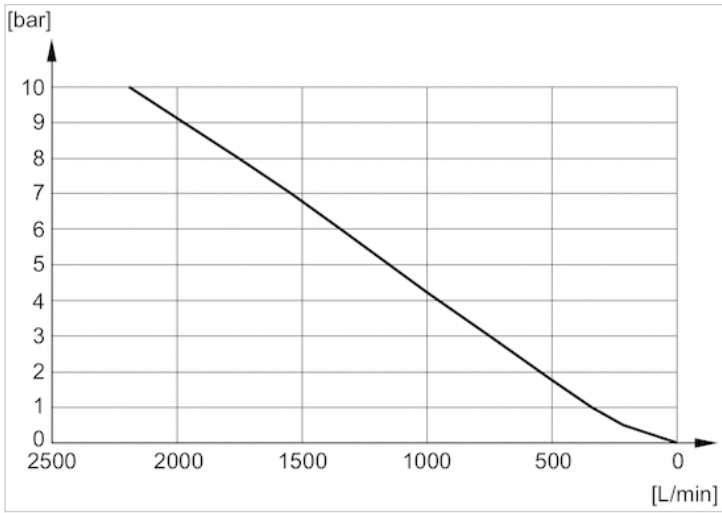
Flow diagram, R414000155



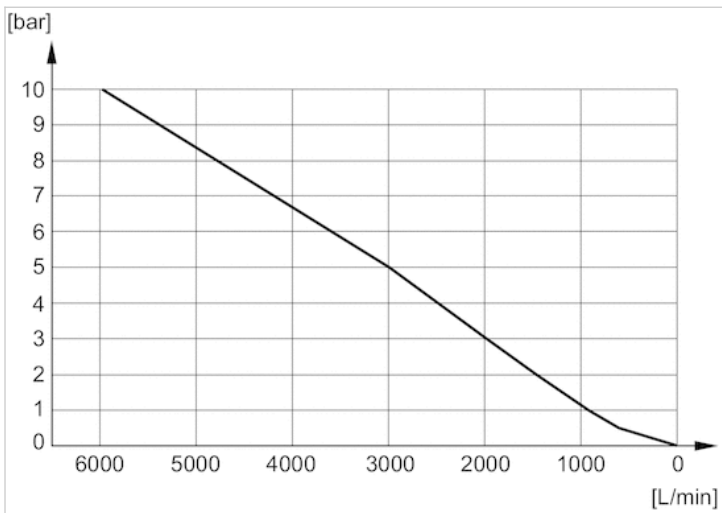
R412007875



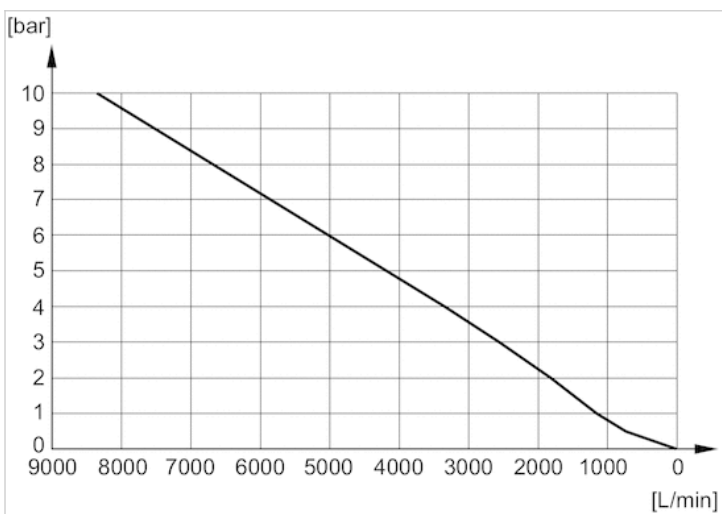
Flow diagram, R412007876



Flow diagram, R412007877



Flow diagram, R412007878



Silencers, series SI1

- M5 G 1/8 G 1/4 G 3/8 G 1/2 G 3/4 G 1

- Stainless steel



Working pressure min./max.

0 ... 12 bar

Ambient temperature min./max.

-20 ... 150 °C

Medium

Compressed air

Sound pressure level

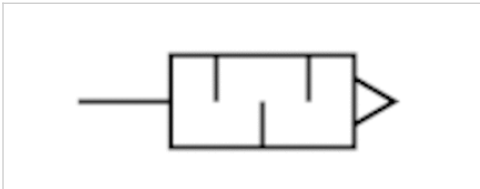
See table below

Weight

See table below

Comment

Flow characteristic curves can be found under "Diagrams".



Technical data

Part No.	Compressed air connection	Sound pressure level	Flow	Delivery unit	Weight
			Qn		
R412010090	M5	85 dB	73 l/min	1 piece	0.003 kg
R412010081	G 1/8	90 dB	1312 l/min	1 piece	0.011 kg
R412010082	G 1/4	93 dB	1852 l/min	1 piece	0.021 kg
R412010083	G 3/8	101 dB	2678 l/min	1 piece	0.028 kg
R412010084	G 1/2	95 dB	5649 l/min	1 piece	0.048 kg
R412010085	G 3/4	110 dB	5945 l/min	1 piece	0.076 kg
R412010086	G 1	100 dB	7206 l/min	1 piece	0.099 kg

Weight per piece

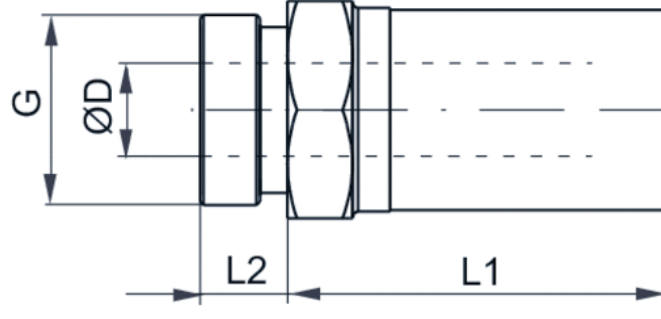
Nominal flow Qn at p1 = 6 bar (absolute) freely discharged. Sound pressure level measured at 6 bar against atmosphere at 1 m distance.

Technical information

Material	
Silencer	Stainless steel
Thread	Stainless steel

Dimensions

Dimensions

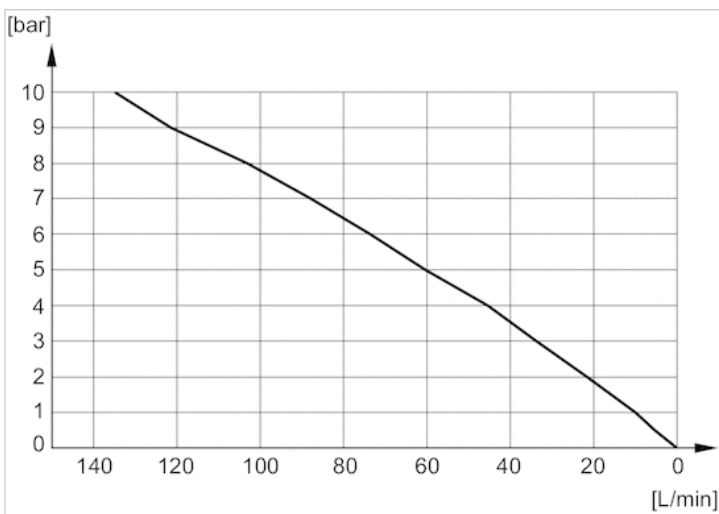


Dimensions

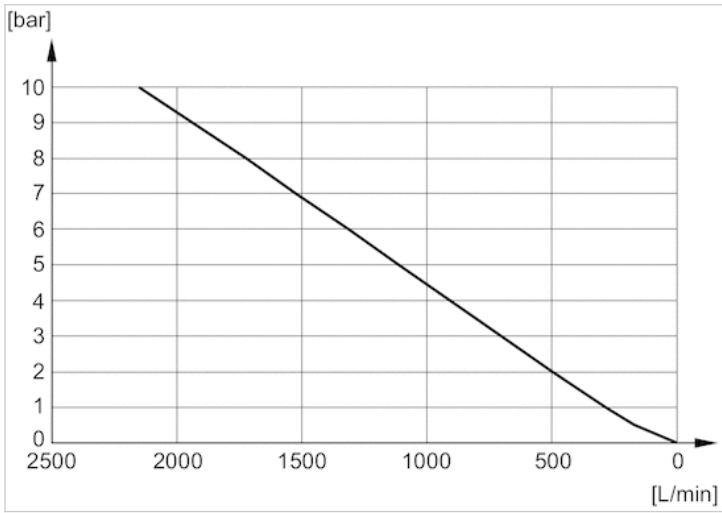
Part No.	Port G	SW	Ø D	L1	L2
R412010090	M5	8	3.1	10.5	3.5
R412010081	G 1/8	13	6.6	20	6
R412010082	G 1/4	16	8.6	29.5	7.5
R412010083	G 3/8	19	12.1	33.5	7.5
R412010084	G 1/2	24	15.3	39.5	9.5
R412010085	G 3/4	30	19.3	45	10
R412010086	G 1	36	25.5	49.5	11.5

Diagrams

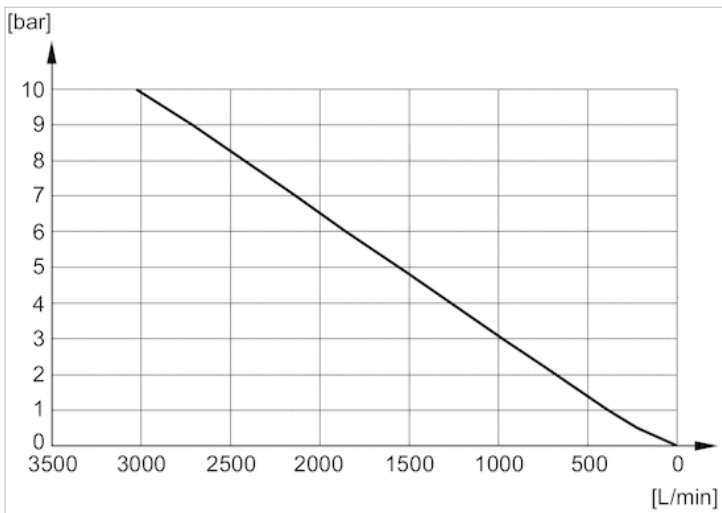
Flow diagram, R412010090



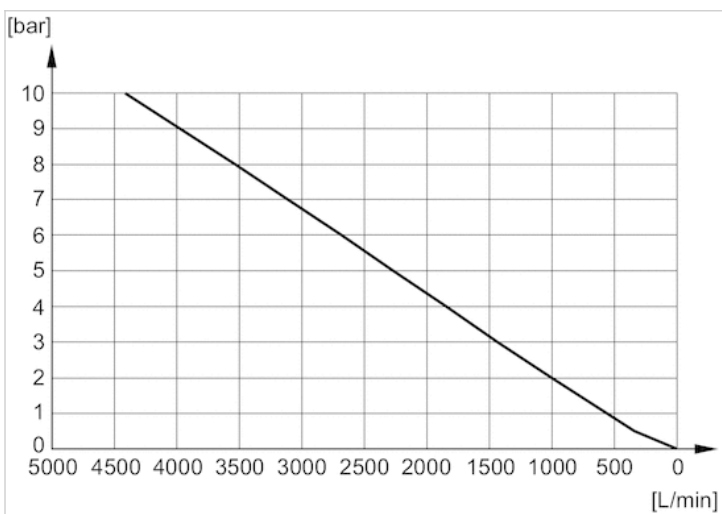
Flow diagram, R412010081



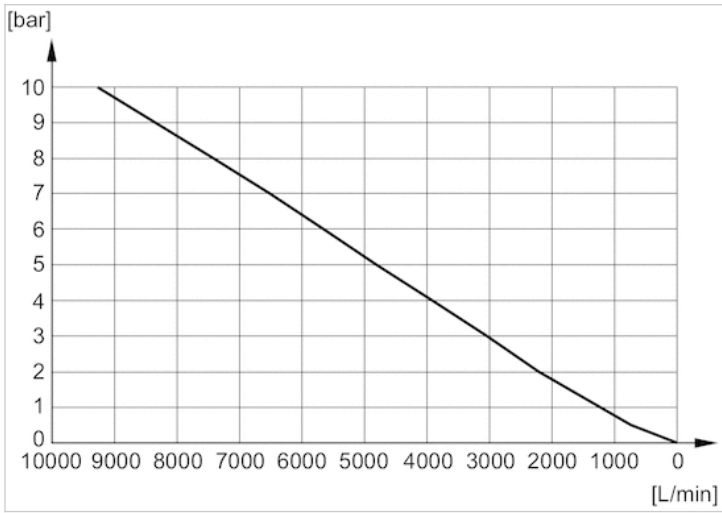
Flow diagram, R412010082



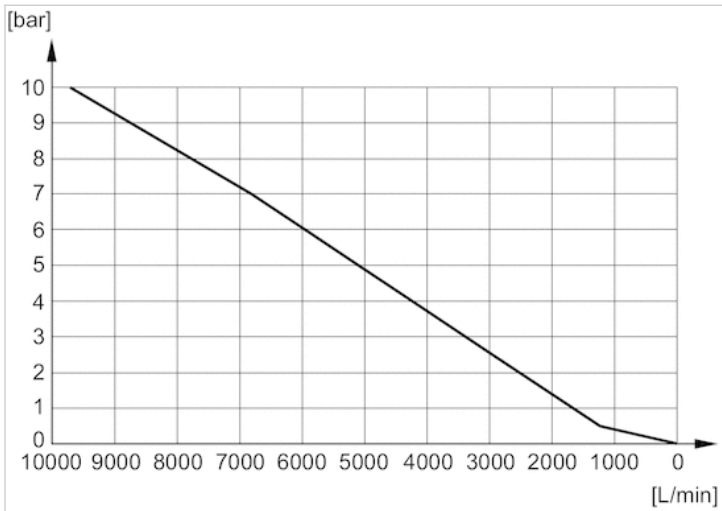
Flow diagram, R412010083



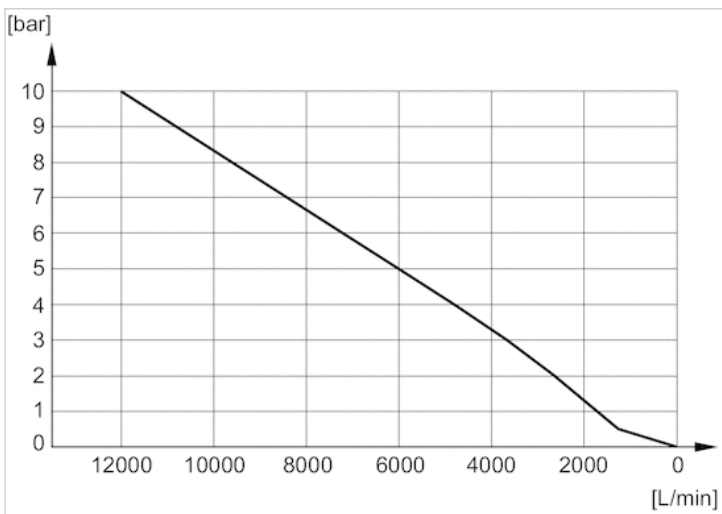
Flow diagram, R412010084



Flow diagram, R412010085



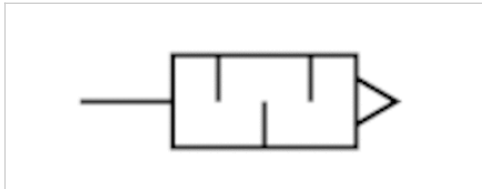
Flow diagram, R412010086



Silencers, series SI1

- M5 G 1/8 G 1/4

- Stainless steel



Working pressure min./max.

0 ... 12 bar

Ambient temperature min./max.

-20 ... 150 °C

Medium

Compressed air

Sound pressure level

See table below

Weight

See table below

Comment

Flow characteristic curves can be found under "Diagrams".

Technical data

Part No.	Compressed air connection	Sound pressure level	Flow	Delivery unit	Weight	
			Qn			
R412010686	M5	68 dB	-	10 piece	0.006 kg	-
R412010687	G 1/8	73 dB	1218 l/min	10 piece	0.01 kg	1)
R412007817	G 1/4	93 dB	1937 l/min	10 piece	0.002 kg	1)

Weight per piece

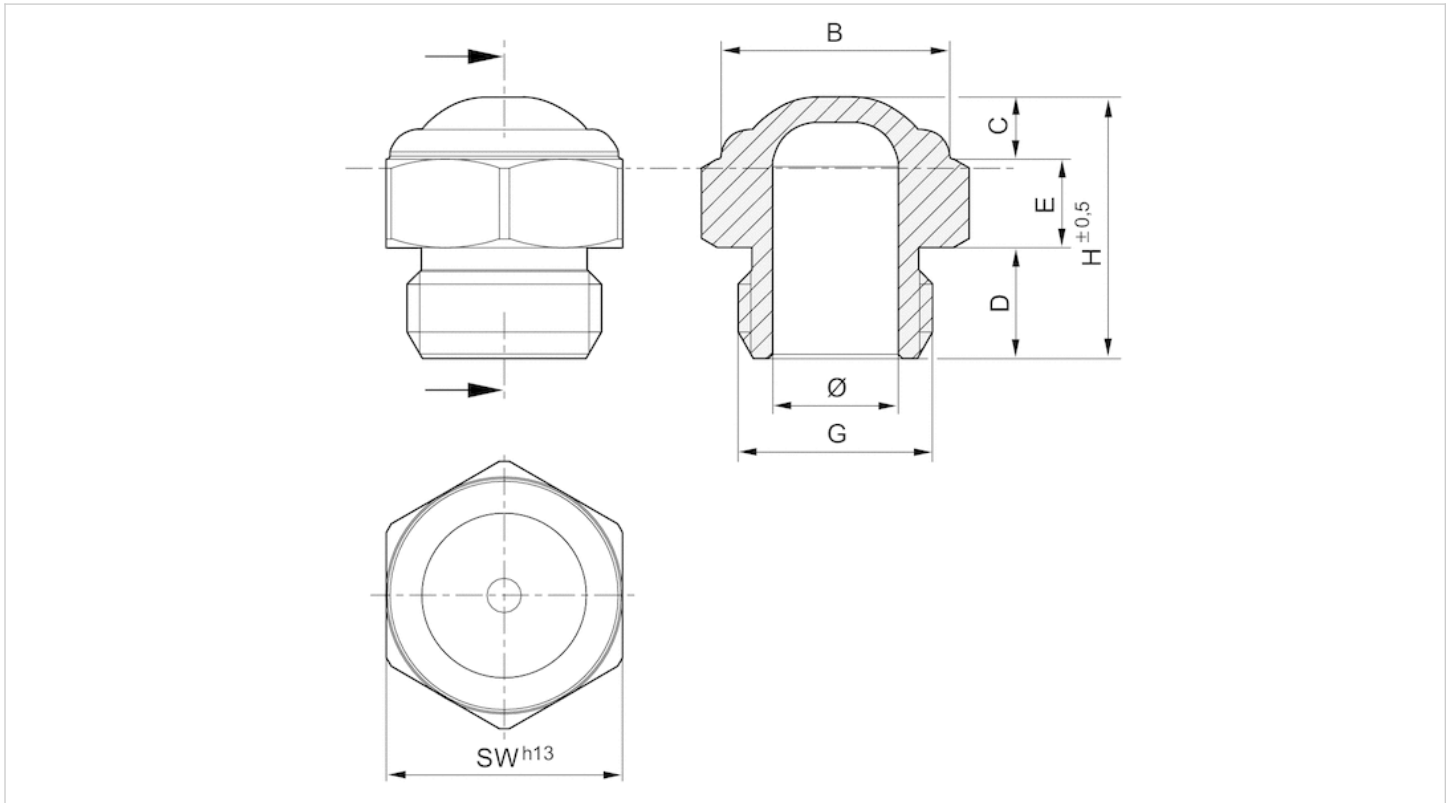
1) Nominal flow Qn at p1 = 6 bar (absolute) freely discharged. Sound pressure level measured at 6 bar against atmosphere at 1 m distance.

Technical information

Material	
Silencer	Stainless steel
Thread	Stainless steel

Dimensions

Dimensions

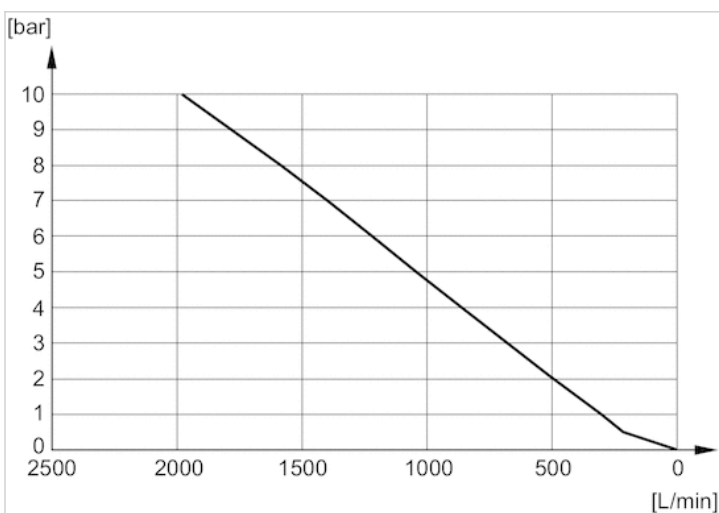


Dimensions

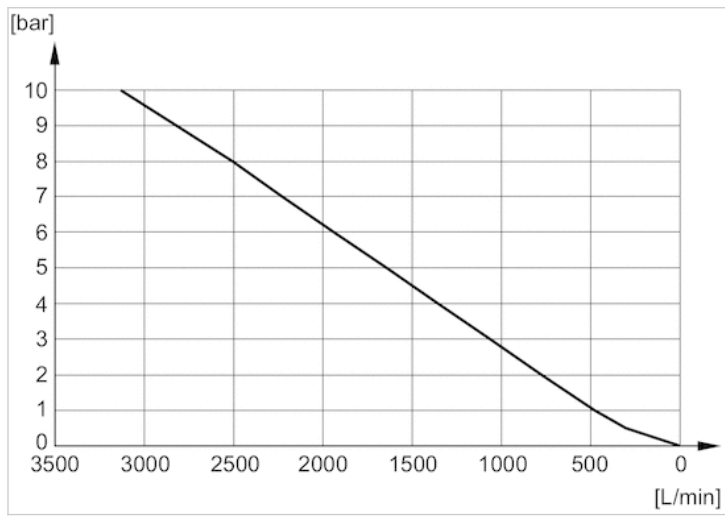
Part No.	Port G	Ø	B	D	E	H	SW
R412010686	M5	2.5	6.5	4	3	8	8
R412010687	G 1/8	6	11	6	4	15	13
R412007817	G 1/4	8.5	12	8	5	18	16

Diagrams

Flow diagram, R412010687



Flow diagram, R412007817



Silencers, series SI1

- G 1/8 G 1/4 G 3/8 G 1/2 G 3/4 G 1

- Metal braiding



Working pressure min./max.

0 ... 15 bar

Ambient temperature min./max.

-10 ... 150 °C

Medium

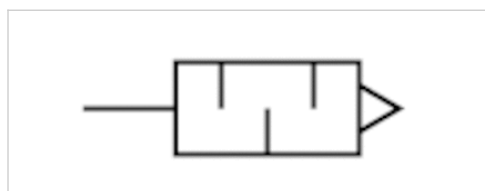
Compressed air

Sound pressure level

See table below

Comment

Flow characteristic curves can be found under "Diagrams".



Technical data

Part No.	Compressed air connection	Sound pressure level	Flow	Delivery unit
			Qn	
R412010283	G 1/8	94 dB	1664 l/min	10 piece
R412010245	G 1/4	96 dB	2687 l/min	10 piece
R412010246	G 3/8	98 dB	4709 l/min	5 piece
R412010247	G 1/2	100 dB	6285 l/min	5 piece
R412010248	G 3/4	102 dB	6455 l/min	2 piece
R412010249	G 1	104 dB	10642 l/min	2 piece

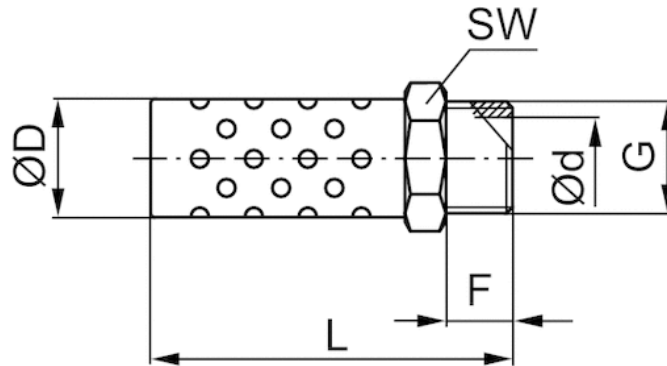
Nominal flow Qn at p1 = 6 bar (absolute) freely discharged. Sound pressure level measured at 6 bar against atmosphere at 1 m distance.

Technical information

Material	
Silencer	Metal braiding
Thread	Aluminum

Dimensions

Dimensions



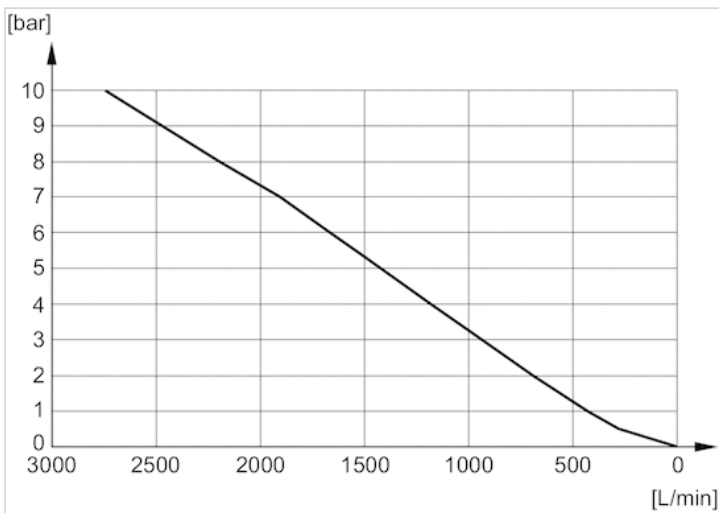
Dimensions

Part No.	Port G	L	F	D	d	SW
R412010283	G 1/8	33.5	6	10.4	6	11
R412010245	G 1/4	42.5	8.5	13.4	8.5	14
R412010246	G 3/8	49.2	9	16.5	12	17
R412010247	G 1/2	65.2	11	21.5	15	22
R412010248	G 3/4	74.5	12	26.5	20	27
R412010249	G 1	91	15.5	32.3	26	34

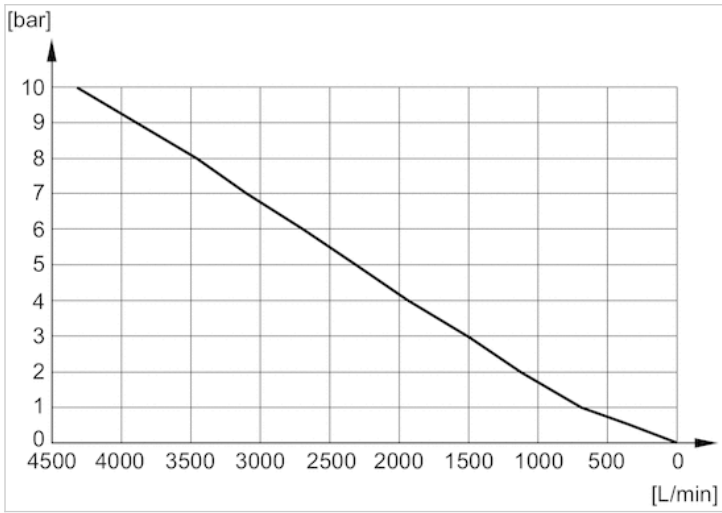
Sound pressure level measured at 6 bar at 1 m distance

Diagrams

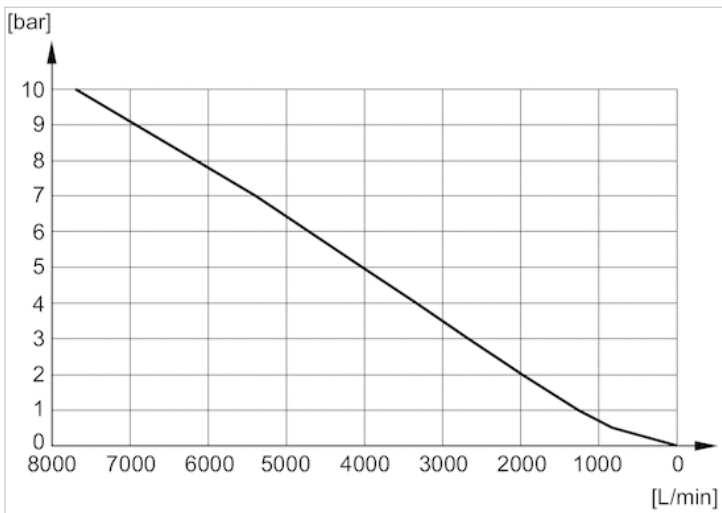
Flow diagram, R412010283



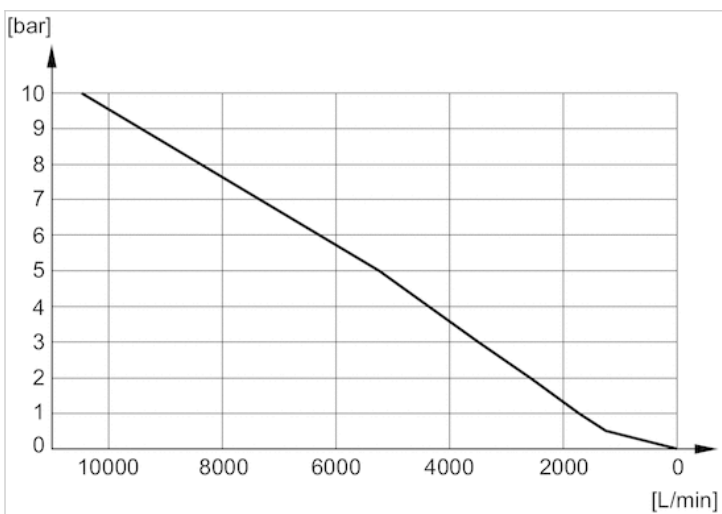
Flow diagram, R412010245



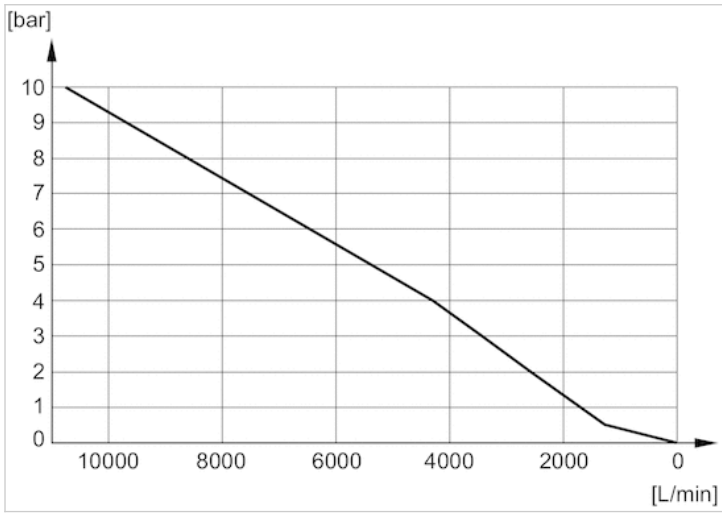
Flow diagram, R412010246



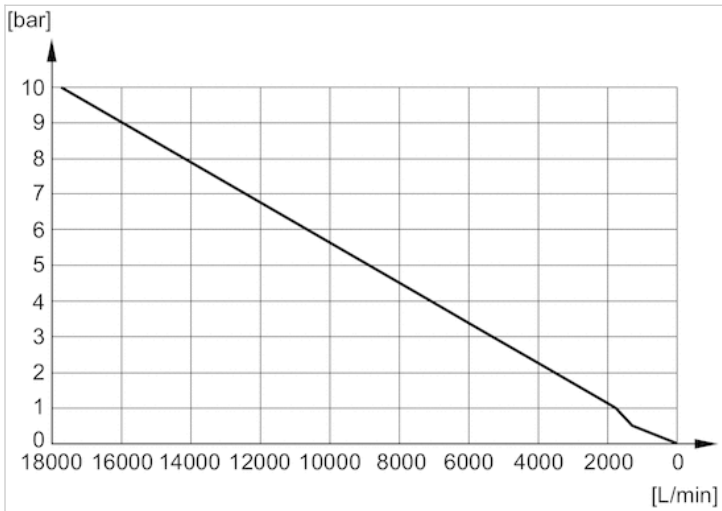
Flow diagram, R412010247



Flow diagram, R412010248



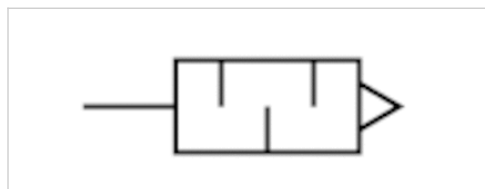
Flow diagram, R412010249



Silencers, series SI1

- Ø 4 Ø 6 Ø 8 Ø 10 Ø 12

- Polyethylene



Working pressure min./max.

0 ... 10 bar

Ambient temperature min./max.

-25 ... 80 °C

Medium

Compressed air

Sound pressure level

See table below

Weight

See table below

Comment

Flow characteristic curves can be found under "Diagrams".

Technical data

Part No.	Compressed air connection	Sound pressure level	Flow	Delivery unit	Weight	
			Qn			
R412007519	Ø 4	-	321 l/min	5 piece	0.002 kg	1)
R412007899	Ø 6	82 dB	680 l/min	5 piece	0.002 kg	1)
R412000591	Ø 6	80 dB	622 l/min	5 piece	0.002 kg	1)
R412007520	Ø 8	90 dB	1366 l/min	5 piece	0.002 kg	1)
R412000593	Ø 10	95 dB	2854 l/min	5 piece	0.004 kg	1)
R412007715	Ø 12	97 dB	3870 l/min	5 piece	0.007 kg	2)

Weight per piece

1) Nominal flow Qn at p1 = 6 bar (absolute) freely discharged. Sound pressure level measured at 6 bar against atmosphere at 1 m distance.

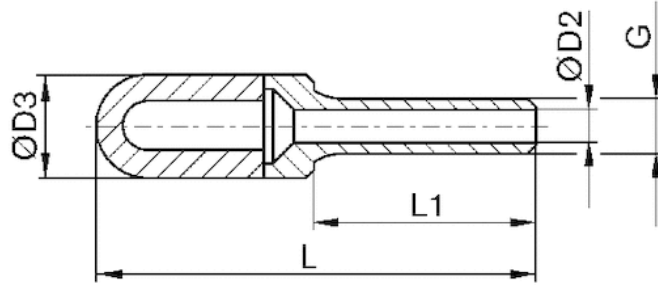
2) Nominal flow Qn at p1 = 5 bar (absolute) freely discharged. Sound pressure level measured at 5 bar against atmosphere at 1 m distance.

Technical information

Material	
Silencer	Polyethylene
Thread	Polyethylene

Dimensions

Dimensions

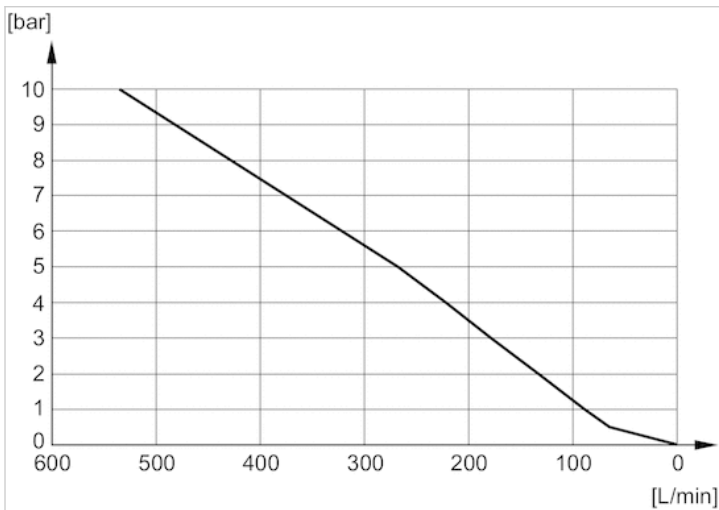


Dimensions

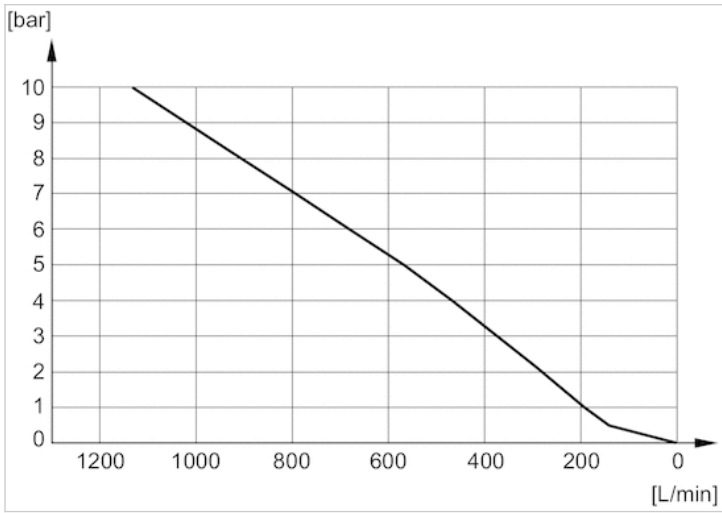
Part No.	Port G	Ø D2	Ø D3	L1	L
R412007519	Ø 4	2.5	7	16	32
R412007899	Ø 6	3.5	10	20.5	45
R412000591	Ø 6	3.5	12.5	20.5	45
R412007520	Ø 8	4.8	13.5	21.5	43.5
R412000593	Ø 10	6.9	15.5	26.5	57.5
R412007715	Ø 12	8.4	18.5	29	82

Diagrams

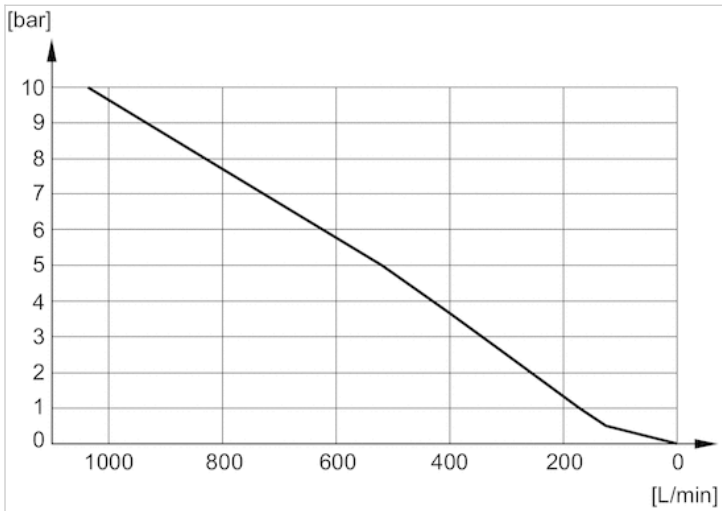
Flow diagram, R412007519



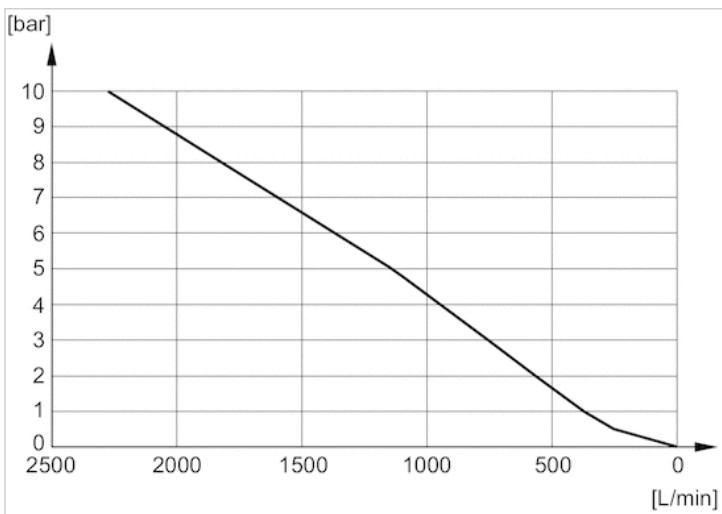
Flow diagram, R412007899



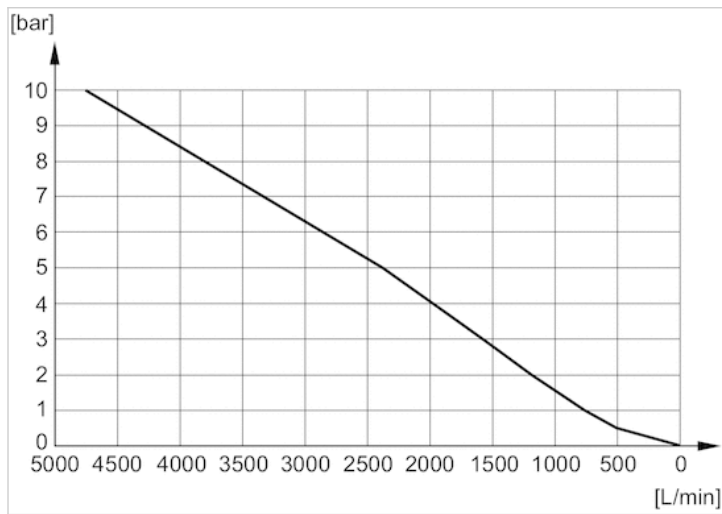
Flow diagram, R412000591



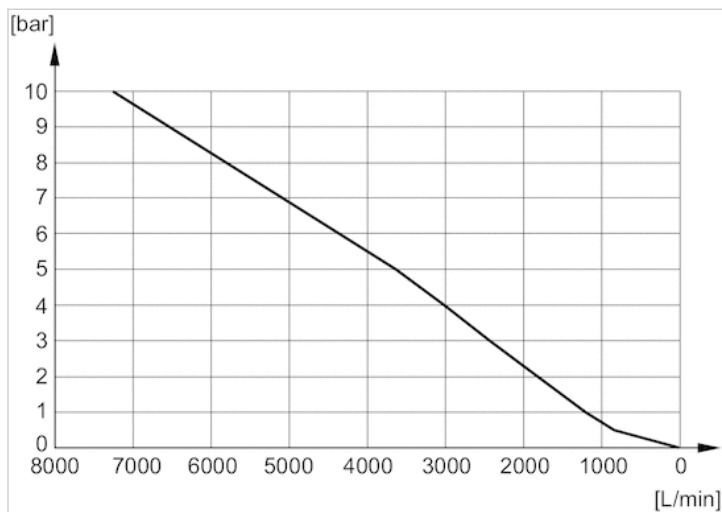
Flow diagram, R412007520



Flow diagram, R412000593



Flow diagram, R412007715



Silencers, Series SI1 - inch

- Ø 1/4" 3/8" Ø 1/2"

- Polyethylene



Working pressure min./max.

0 ... 10 bar

Ambient temperature min./max.

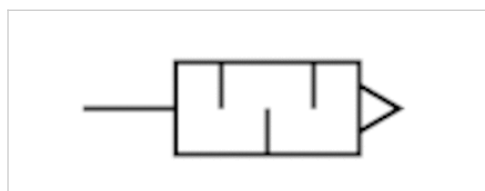
-25 ... 80 °C

Medium

Compressed air

Weight

See table below



Technical data

Part No.	Compressed air connection	Flow	Delivery unit	Weight
		Qn		
R412005727	Ø 1/4"	60 l/min	5 piece	0.002 kg
R412005728	3/8"	30 l/min	5 piece	0.007 kg
R412007714	Ø 1/2"	30 l/min	5 piece	0.007 kg

Weight per piece

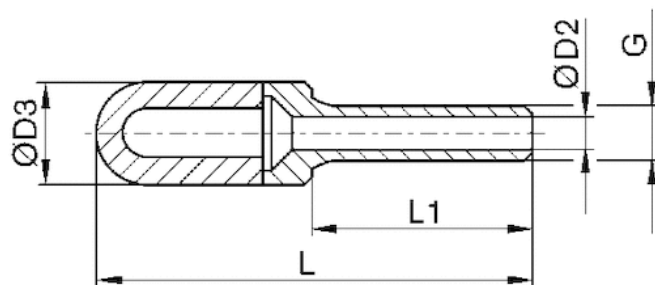
Nominal flow Qn at p1 = 6 bar (absolute) freely discharged. Sound pressure level measured at 6 bar against atmosphere at 1 m distance.

Technical information

Material	
Silencer	Polyethylene
Thread	Polyethylene

Dimensions

Dimensions in inches



Dimensions

Part No.	Port G	Ø D2	Ø D3	L1	L
R412005727	Ø 1/4"	0.14	0.49	0.81	1.77
R412005728	3/8"	0.26	0.61	1.04	2.26
R412007714	Ø 1/2"	0.36	0.73	1.14	3.23

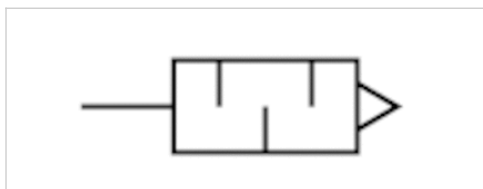
Silencers, series SI1

- M5 G 1/8 G 1/4 G 3/8 G 1/2 G 3/4 G 1

- Polyethylene



Working pressure min./max.	0 ... 10 bar
Ambient temperature min./max.	-25 ... 80 °C
Medium	Compressed air
Sound pressure level	See table below
Weight	See table below



Technical data

Part No.	Compressed air connection	Sound pressure level	Flow	Delivery unit	Weight
			Qn		
1827000018	M5	-	381 l/min	5 piece	0.001 kg
1827000019	G 1/8	78 dB	1560 l/min	5 piece	0.002 kg
1827000020	G 1/4	80 dB	3447 l/min	5 piece	0.003 kg
1827000021	G 3/8	85 dB	5682 l/min	2 piece	0.008 kg
1827000022	G 1/2	88 dB	7142 l/min	1 piece	0.013 kg
1827000023	G 3/4	-	8356 l/min	1 piece	0.04 kg
1827000024	G 1	-	13329 l/min	1 piece	0.055 kg

Weight per piece

Nominal flow Qn at p1 = 6 bar (absolute) freely discharged. Sound pressure level measured at 6 bar against atmosphere at 1 m distance.

Technical information

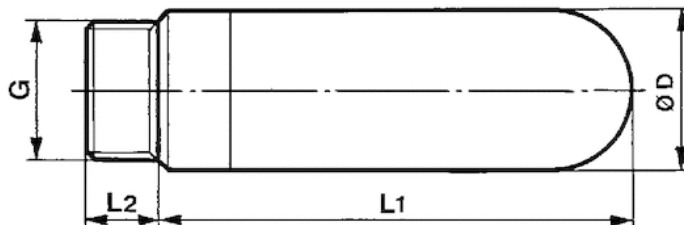
Flow characteristic curves can be found under "Diagrams".

Technical information

Material	
Silencer	Polyethylene
Thread	Polyethylene

Dimensions

Dimensions

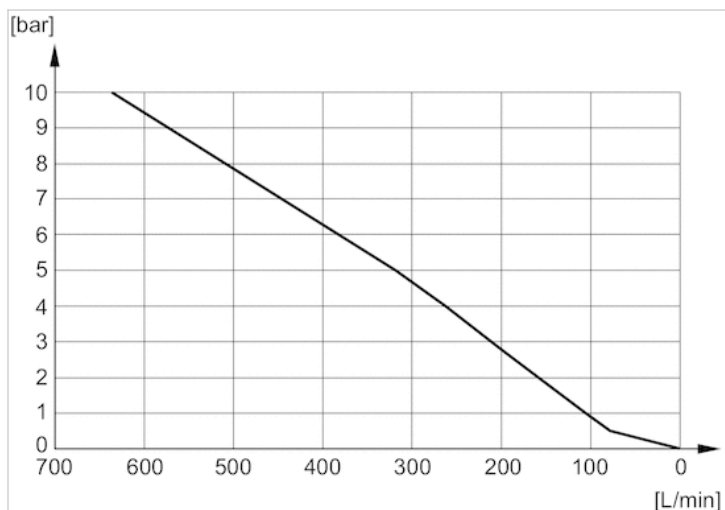


Dimensions

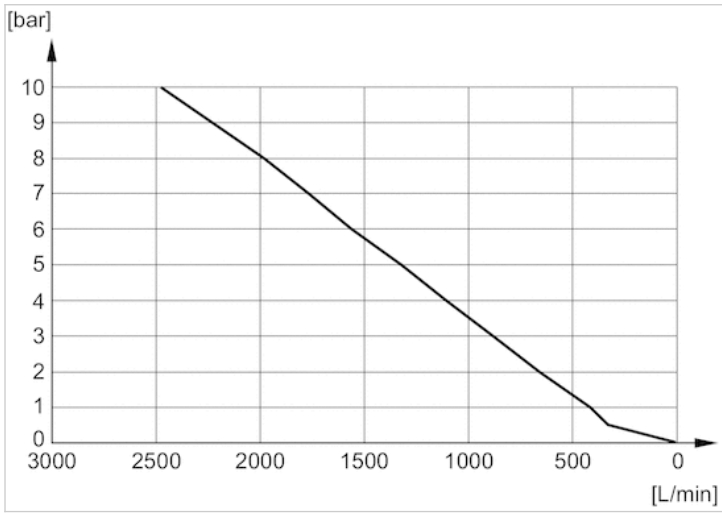
Part No.	Port G	$\varnothing D$	L1	L2
1827000018	M5	6.5	17.5	4
1827000019	G 1/8	12.5	28.5	5.5
1827000020	G 1/4	15.5	34.5	8
1827000021	G 3/8	18.5	56	11.5
1827000022	G 1/2	23.3	66.5	11
1827000023	G 3/4	38.5	115.5	16
1827000024	G 1	49	140	21

Diagrams

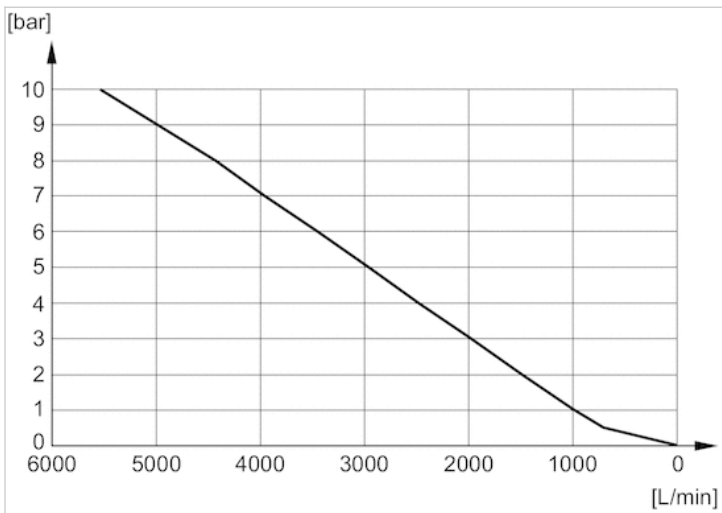
Flow diagram, 1827000018



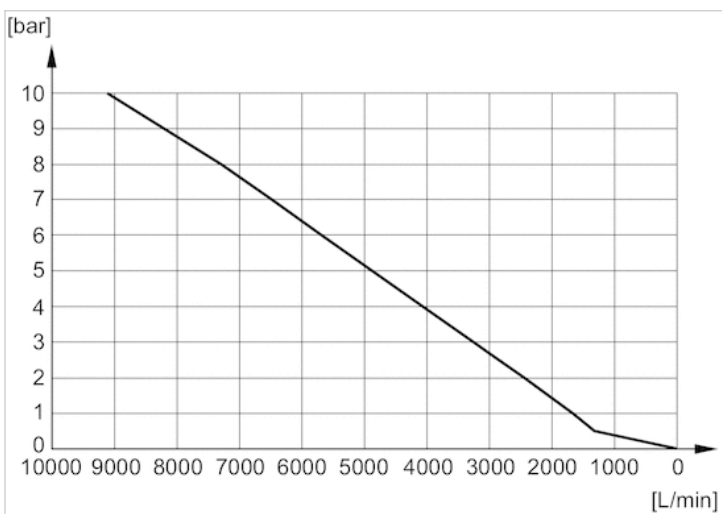
Flow diagram, 1827000019



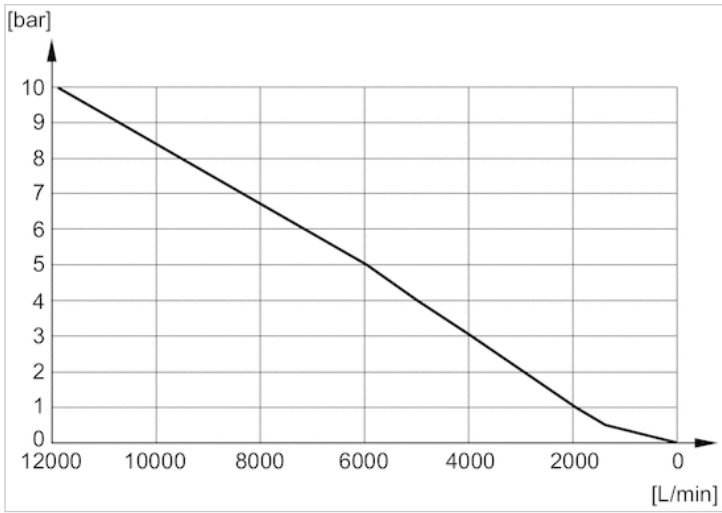
Flow diagram, 1827000020



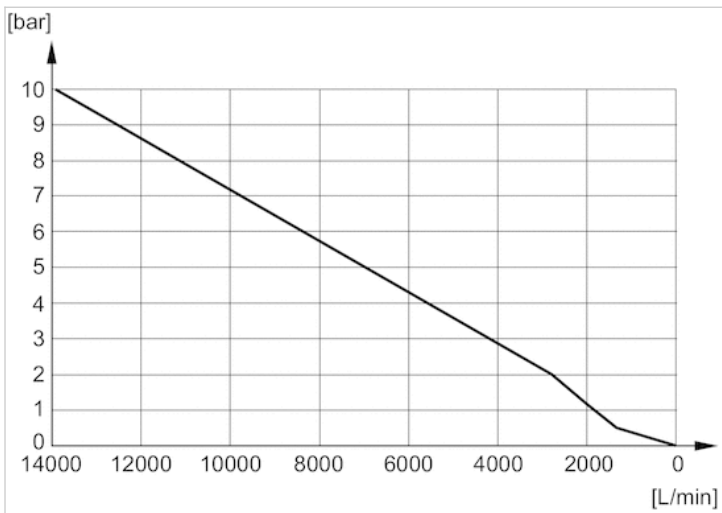
Flow diagram, 1827000021



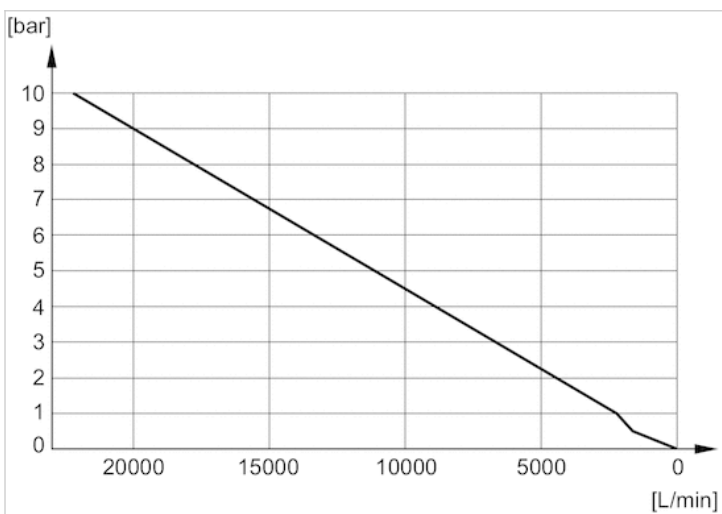
Flow diagram, 1827000022



Flow diagram, 1827000023



Flow diagram, 1827000024



Silencers, series SI1

- Ø 4 Ø 6 Ø 8 Ø 10 Ø 12 Ø 14

- Sintered bronze



Working pressure min./max.

0 ... 10 bar

Ambient temperature min./max.

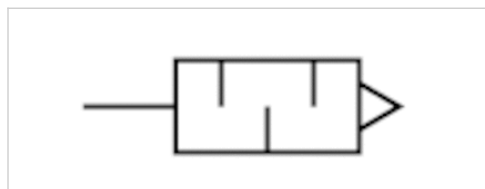
-10 ... 80 °C

Medium

Compressed air

Weight

See table below



Technical data

Part No.	Compressed air connection	Delivery unit	Weight
1827000039	Ø 4	2 piece	0.002 kg
1827000041	Ø 6	2 piece	0.003 kg
1827000042	Ø 8	2 piece	0.004 kg
1827000043	Ø 10	2 piece	0.009 kg
1827000044	Ø 12	2 piece	0.011 kg
1827000045	Ø 14	2 piece	0.021 kg

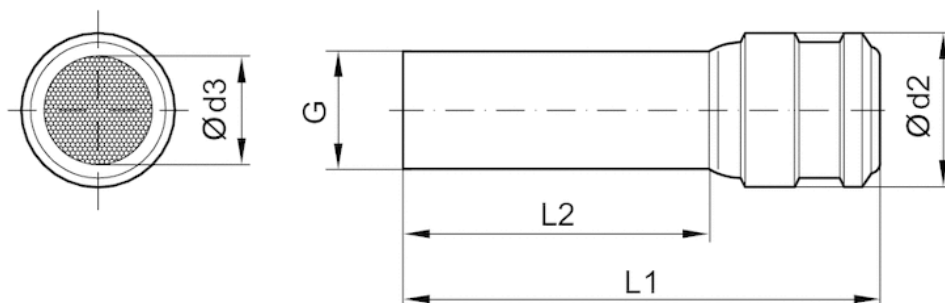
Weight per piece

Technical information

Material	
Silencer	Sintered bronze
push-in fitting	Polyamide

Dimensions

Dimensions

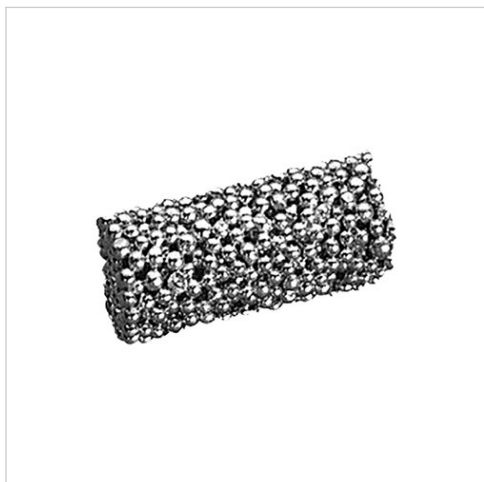


Dimensions

Part No.	Port G	$\varnothing d2$	$\varnothing d3$	L1	L2
1827000039	$\varnothing 4$	7	3.6	34.5	24
1827000041	$\varnothing 6$	8	4.3	41	31
1827000042	$\varnothing 8$	10	6.2	41.5	30.5
1827000043	$\varnothing 10$	12	7.7	49.5	37
1827000044	$\varnothing 12$	14	11	54	38
1827000045	$\varnothing 14$	16	14	48	30

Silencers, series SI1

- Sintered bronze



Working pressure min./max.

0 ... 10 bar

Ambient temperature min./max.

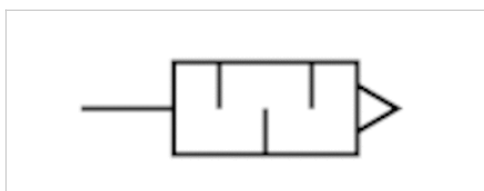
-25 ... 80 °C

Medium

Compressed air

Weight

0.008 kg



Technical data

Part No.

8993800114

Technical information

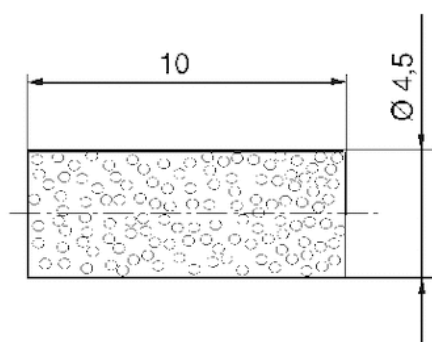
Material

Silencer

Sintered bronze

Dimensions

Dimensions

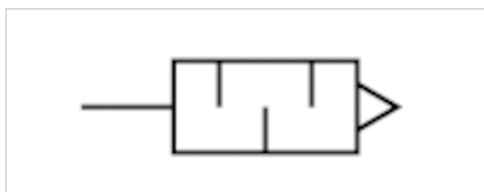


Silencers, series SI1

- G 3/4
- Polyethylene



Working pressure min./max.	0 ... 10 bar
Ambient temperature min./max.	-25 ... 80 °C
Medium	Compressed air
Weight	0.383 kg



Technical data

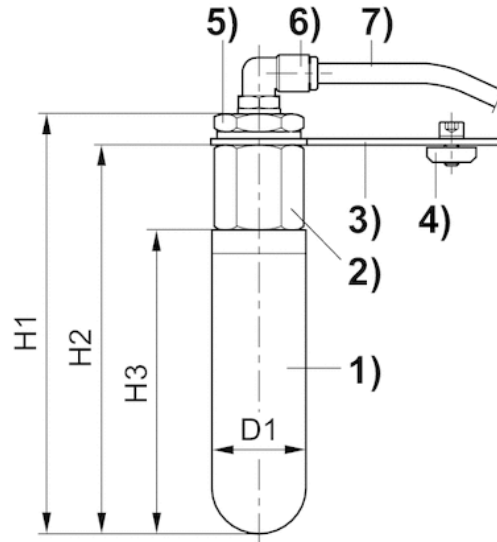
Part No.	Compressed air connection	Delivery unit
1827010513	G 3/4	1 piece

Technical information

Material	
Silencer	Polyethylene
Thread	Polyethylene

Dimensions

Dimensions



- 1) Silencer (porously sintered polyethylene)
- 2) Connector sleeve G 3/4
- 3) Holding plate (120x40x2.5)
- 4) 2 x M6x12 including groove lugs
- 5) Reducing supports G 3/4 - G 1/4
- 6) Angle threaded connector Ø 8 mm
- 7) PU tube Ø 8 mm, 250 mm long

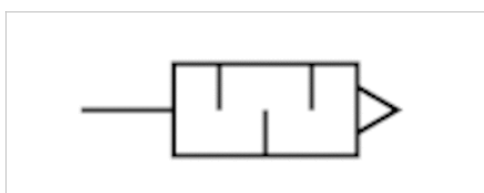
Dimensions

Part No.	Port	H1	H2	H3	D1
1827010513	G 3/4	174	161	126	38.5

Silencers, series SI1



Working pressure min./max.	0 ... 10 bar
Ambient temperature min./max.	-25 ... 60 °C
Medium	Compressed air
Sound pressure level	78 dB
Weight	See table below



Technical data

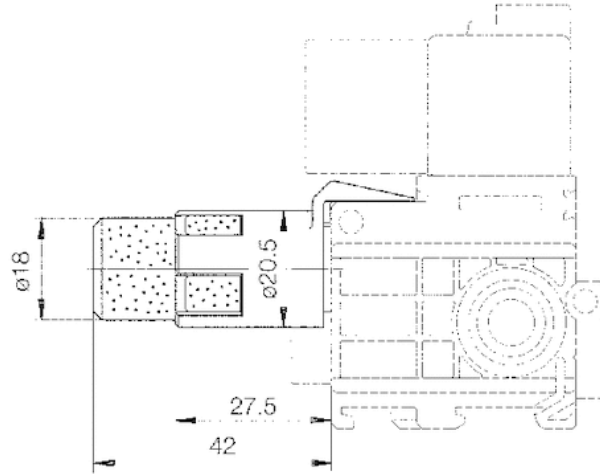
Part No.	Flow	Delivery unit	Weight
	Qn		
5790005312	1300 l/min	1 piece	0.008 kg
5790005332	1300 l/min	10 piece	0.08 kg
5790005352	1300 l/min	100 piece	0.8 kg

Technical information

Material	
Thread	Polypropylene

Dimensions

Dimensions



Silencers, Series EBS

- M5 G 1/8 G 3/8

- Polyethylene



Working pressure min./max.

0 ... 6 bar

Ambient temperature min./max.

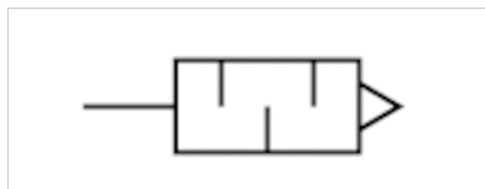
0 ... 50 °C

Medium

Compressed air

Weight

See table below



Technical data

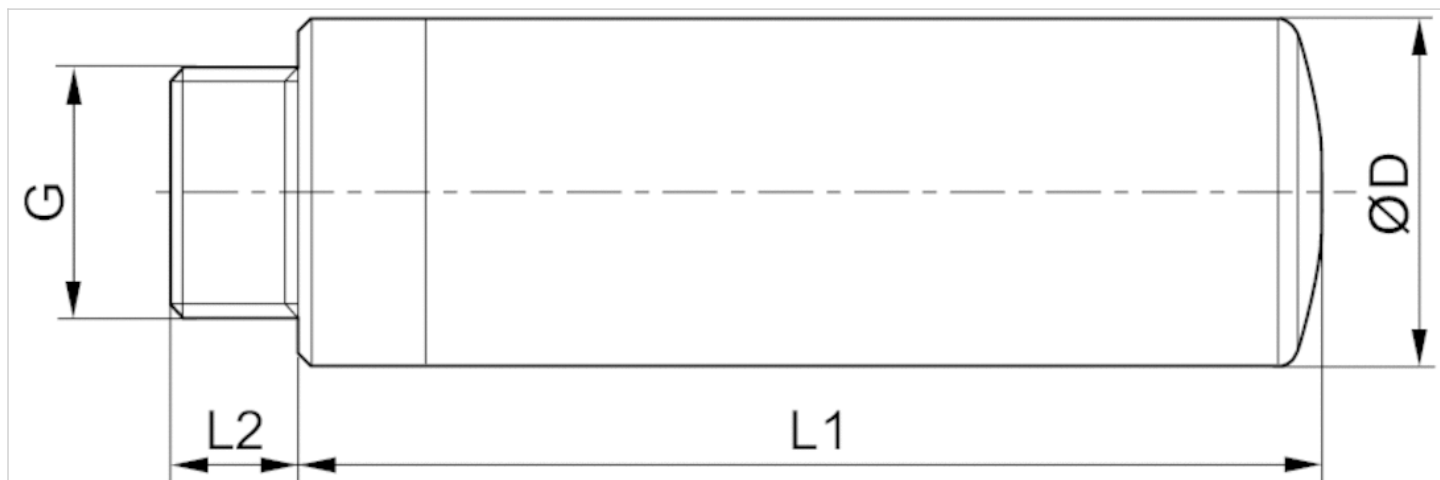
Part No.	Compressed air connection	Delivery unit	Weight
R412007592	M5	5 piece	0.001 kg
R412007593	G 1/8	5 piece	0.005 kg
R412007594	G 3/8	5 piece	0.014 kg

Technical information

Material	
Silencer	Polyethylene
Thread	Polyethylene

Dimensions

Dimensions



Dimensions

Part No.	Port G	L1	L2	Ø D
R412007592	M5	24	4	9
R412007593	G 1/8	40	5	13,6
R412007594	G 3/8	76	9	20

Exhaust cap, Series SI1

- R 1/8 R 1/4 R 3/8



Working pressure min./max.

0 ... 10 bar

Ambient temperature min./max.

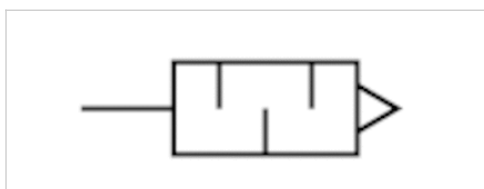
-5 ... 50 °C

Medium

Compressed air

Weight

See table below



Technical data

Part No.	Compressed air connection	Delivery unit	Weight	Fig.
8994701700	R 1/8	10 piece	0.004 kg	Fig. 1
8994701900	R 1/4	10 piece	0.007 kg	Fig. 1
8994701200	R 3/8	5 piece	0.067 kg	Fig. 2

Technical information

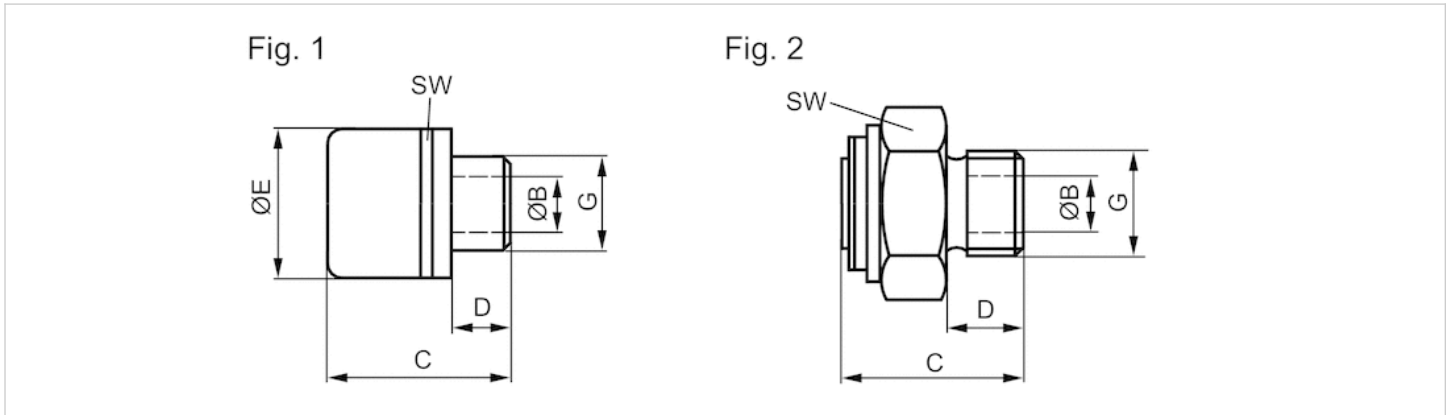
An example configuration is illustrated. The delivered product may thus deviate from the illustration.

Technical information

Material	
Thread	Polyamide Steel

Dimensions

Dimensions



Dimensions

Part No.	Port G	B	C	D	E	SW	Fig.
8994701700	R 1/8	5	19	6.5	15	14	1
8994701900	R 1/4	8	20.5	8	20	19	1
8994701200	R 3/8	9	30	12	-	27	2

Efficient pneumatic solutions, our program: cylinders and drives, valves and valve systems, air supply management



Visit us: [Emerson.com/Aventics](https://www.emerson.com/aventics)

Your local contact: [Emerson.com/contactus](https://www.emerson.com/contactus)



Emerson.com



[Facebook.com/EmersonAutomationSolutions](https://www.facebook.com/EmersonAutomationSolutions)



[LinkedIn.com/company/Emerson-Automation-Solutions](https://www.linkedin.com/company/Emerson-Automation-Solutions)



[Twitter.com/EMR_Automation](https://twitter.com/EMR_Automation)

An example configuration is depicted on the title page. The delivered product may thus vary from that in the illustration. Subject to change. This Document, as well as the data, specifications and other information set forth in it, are the exclusive property of AVENTICS GmbH. It may not be reproduced or given to third parties without its consent. Only use the AVENTICS products shown in industrial applications. Read the product documentation completely and carefully before using the product. Observe the applicable regulations and laws of the respective country. When integrating the product into applications, note the system manufacturer's specifications for safe use of the product. The data specified only serve to describe the product. No statements concerning a certain condition or suitability for a certain application can be derived from our information. The information given does not release the user from the obligation of own judgment and verification. It must be remembered that the products are subject to a natural process of wear and aging.

The Emerson logo is a trademark and service mark of Emerson Electric Co. Brand logotype are registered trademarks of one of the Emerson family of companies. All other marks are the property of their respective owners. © 2017 Emerson Electric Co. All rights reserved.
2019-03



CONSIDER IT SOLVED™